

# ECOPAN<sup>®</sup>

MODULAR RADIANT PANELS



**Radiance**  
*energy savings*



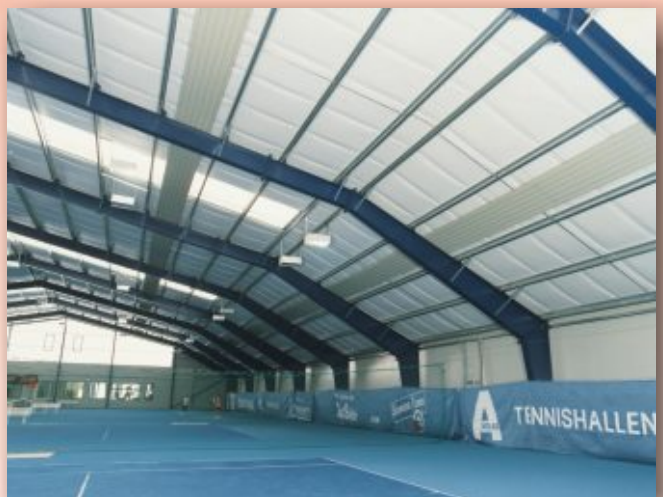
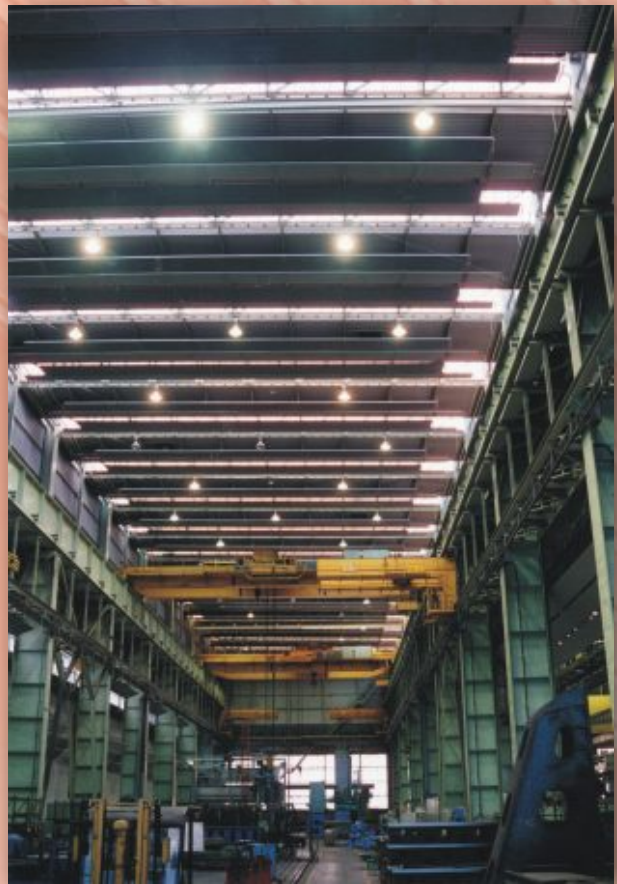
## the system offers:

- *rapid attainment of operating power*
- *low thermal inertia*
- *even heat distribution*
- *possibility to heat by zones*
- *low thermal gradients*
- *no movement of air and dust*
- *no noise*
- *no space taken up on wall or floor*
- *no fire hazard*
- *no moving parts*
- *no maintenance*

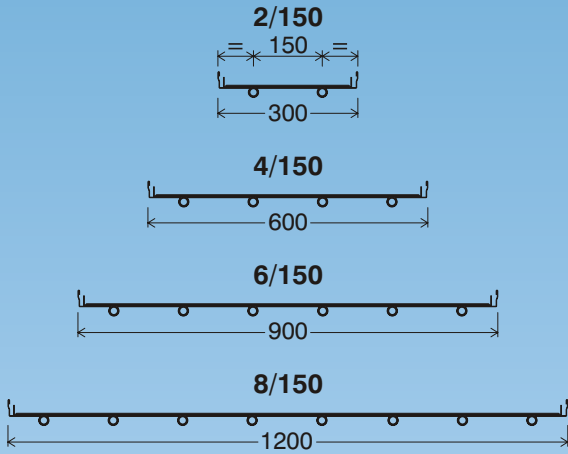


## the ECOPAN panel offers:

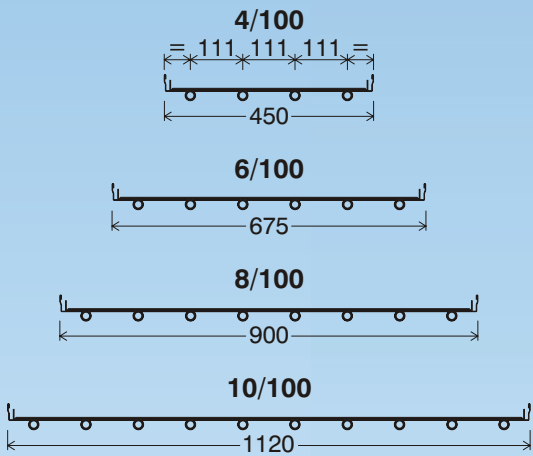
- *EN14037 certified emissions*
- *a wide choice from among 32 standard models*
- *panels with pipes of 1/2" and 3/4"*
- *welded headers*
- *rapid installation, with welded or clamped connections*
- *side edges included in the radiant plate*
- *rapid snap-in joint covers*
- *perfect adherence between pipe and sheet metal remains unchanged over time*



**INTERVAL BETWEEN PIPES 150 mm - PIPES 1/2" or 3/4"**



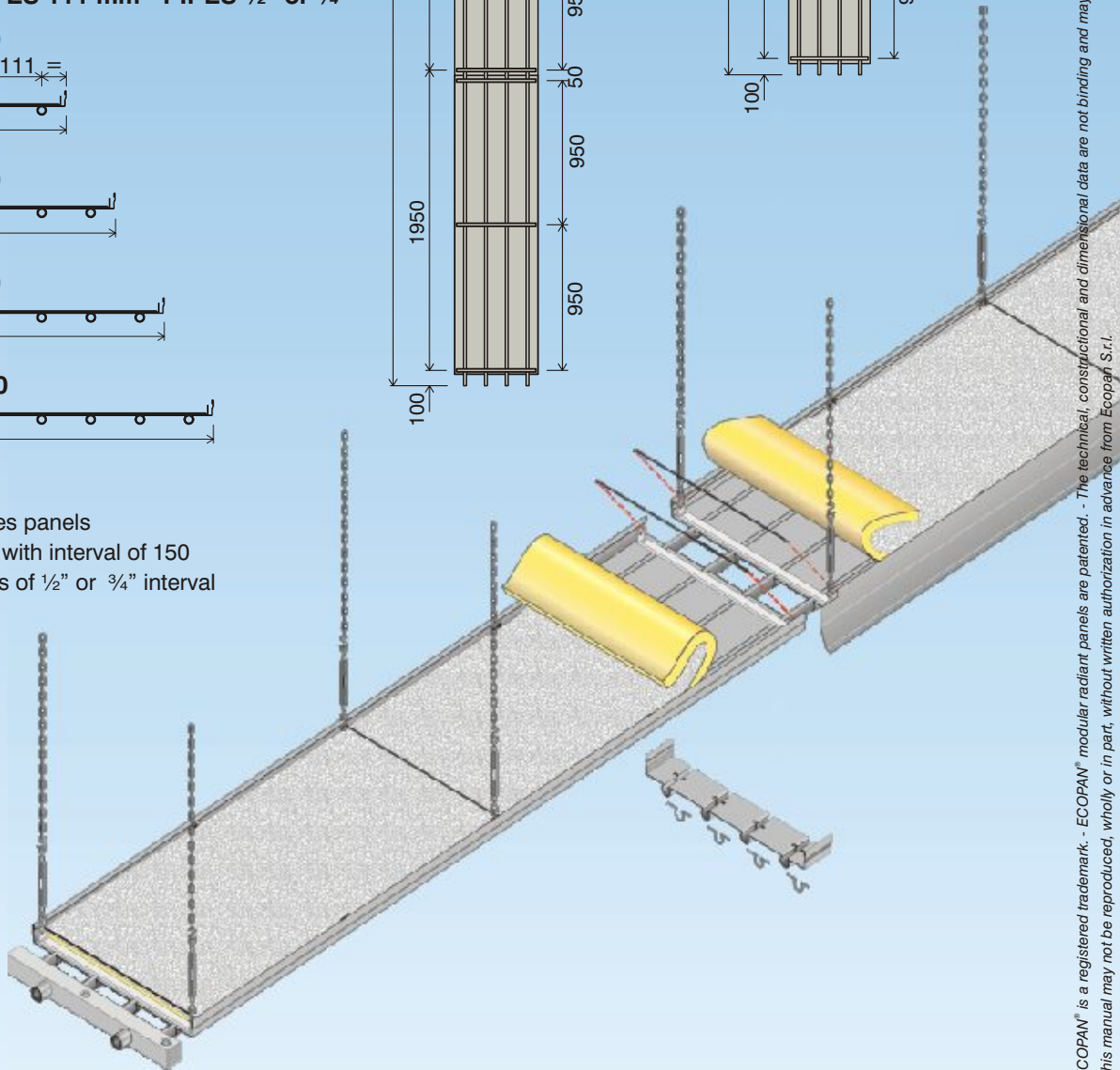
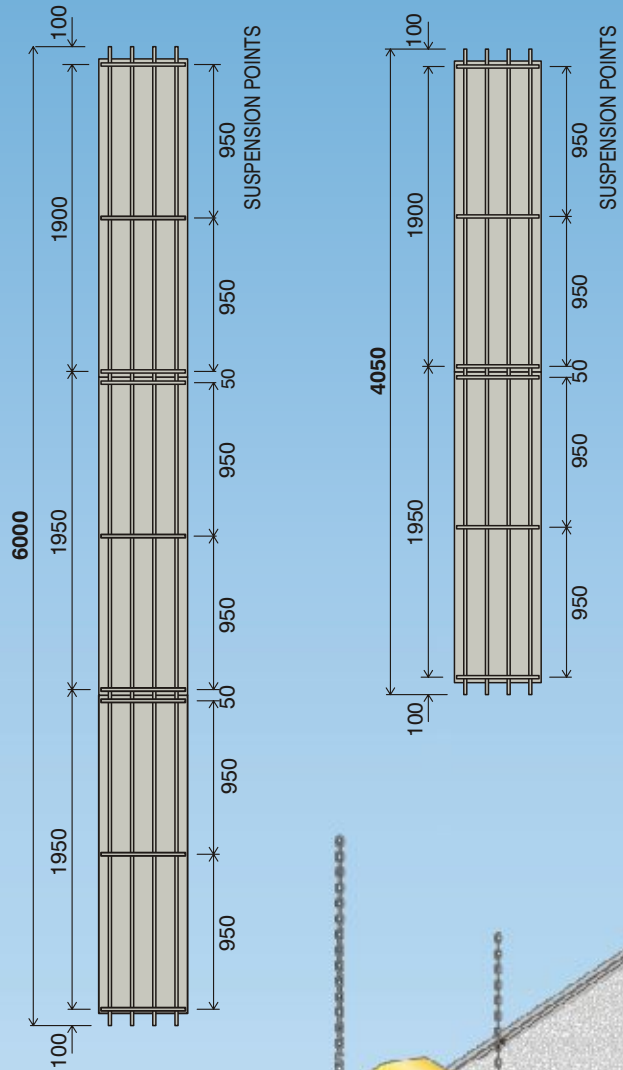
**INTERVAL BETWEEN PIPES 111 mm - PIPES 1/2" or 3/4"**



On request, ECOPAN provides panels with 3-5-7 pipes of 1/2" or 3/4" with interval of 150 mm and panels of 5-7-9 pipes of 1/2" or 3/4" interval 111 mm.

**CE**  
04  
EN 14037-1  
Ceiling mounted radiant panels

Maximum operating pressure:  
6 bar



ECOPAN® is a registered trademark. - ECOPAN® modular radiant panels are patented. - The technical, constructional and dimensional data are not binding and may be modified with no advance notice. This manual may not be reproduced, wholly or in part, without written authorization in advance from Ecopan S.r.l.

DEP. ILL. EN 03-07  
Rights to modification reserved