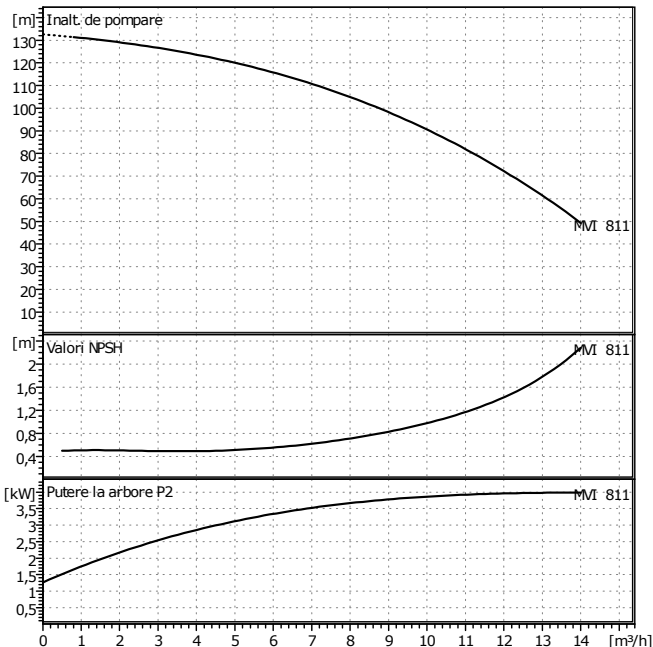


Client \_\_\_\_\_ Proiect \_\_\_\_\_  
Nr. client \_\_\_\_\_ Nr. proiect \_\_\_\_\_  
Persoana de contact \_\_\_\_\_ Poz. nr. \_\_\_\_\_  
In grija \_\_\_\_\_ Locatia \_\_\_\_\_  
Data \_\_\_\_\_

16.05.2011

Pag. 1 / 1



**Date cerute**

|                        |        |        |
|------------------------|--------|--------|
| Debit                  | 0      | m³/h   |
| Inaltime de pompare    | 0      | m      |
| Fluid                  |        |        |
| Temperatura fluid      | 0      | °C     |
| Densitate              | 0,9983 | kg/dm³ |
| Viscozitate cinematica | 1,005  | mm²/s  |
| Presiune vaporizare    | 0      | bar    |

**Date generale pompa**

|                   |                   |
|-------------------|-------------------|
| Fabricat          | WILO              |
| Tip               | MVI 811/PN16 3~   |
| Tip pompa         | Pompa cu un motor |
| Presiune nominala | PN 16             |
| Temp. min. fluid  | -15 °C            |
| Temp. max. fluid  | 120 °C            |

**Date efectiv realizate**

|                     |      |       |
|---------------------|------|-------|
| Debit               |      | m³/h  |
| Inaltime de pompare |      | m     |
| Turatie             | 2900 | 1/min |
| Putere la arbore P2 |      | kW    |
| NPSH                |      | m     |

**Materiale/Etansare ax**

|                   |                       |
|-------------------|-----------------------|
| Rotoare           | Inox 1.4301           |
| Camere etaje      | Inox 1.4301           |
| Carcasa presiune  | Inox 1.4301           |
| Arbore            | Inox 1.4301           |
| Capacul carcasei  | Inox 1.4301           |
| Etansare          | EPDM                  |
| Etansare mecanica | Wolfram carbid/grafit |

**Dimensiuni**

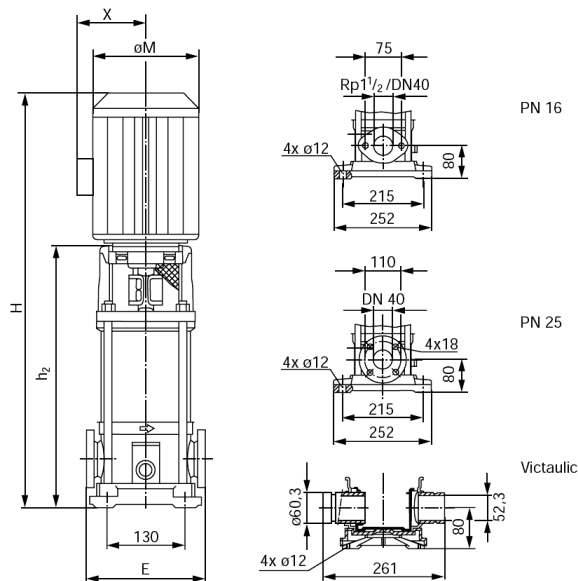
|    |      | mm |  |  |  |  |  |
|----|------|----|--|--|--|--|--|
| E  | 250  |    |  |  |  |  |  |
| H  | 1054 |    |  |  |  |  |  |
| h2 | 654  |    |  |  |  |  |  |
| X  | 170  |    |  |  |  |  |  |
| M  | 240  |    |  |  |  |  |  |

|           |                  |
|-----------|------------------|
| Aspiratie | Rp 1 1/2 / PN 16 |
| Refulare  | Rp 1 1/2 / PN 16 |
| Greutate  | 45 kg            |

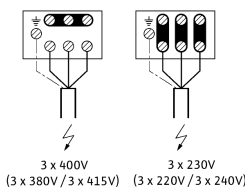
**Date motor**

|                                   |                |       |
|-----------------------------------|----------------|-------|
| Putere nominala P2                | 4              | kW    |
| Turatie nominala                  | 2950           | 1/min |
| Tensiune nominala                 | 3~400 V, 50 Hz |       |
| Intensitate el. max.curent abs.   |                | A     |
| Grad de protectie                 | IP 55          |       |
| Toleranta permisa tensiune +/-10% |                |       |

Nr. art. in versiunea standard 4024739



MOT. 230 - 400V (220 - 380V / 240 - 415V) < 4kW



MOT. 400VD (380VD / 415VD) > 4kW

