

APPLICATION

Water, air and neutral (non aggressive) gases.



DRVD16

Flanged pressure reducing valve with single balanced seat and spring. Ensures min. pressure drops with high flow rates. Downstream pressure set by means of screw (9). Nodular cast iron body faced with epoxy resins.



DRVD25

Like DRVD16 but with max. inlet pressure: 25 bar.



DRVD40

Like DRVD16 but with max. inlet pressure: 40 bar.

PN: 16 bar

Pout: 1.5-6 bar

0504053	DRVD50/16	2"	DN50
0504068	DRVD65/16	2 ^{1/2} "	DN65
0504083	DRVD80/16	3"	DN80
0504103	DRVD100/16	4"	DN100
0504128	DRVD125/16	5"	DN125
0504153	DRVD150/16	6"	DN150
0504203	DRVD200/16	8"	DN200

Pout: 2-8 bar

0504054	DRVD50/16/2-8	2"	DN50
0504069	DRVD65/16/2-8	2 ^{1/2} "	DN65
0504084	DRVD80/16/2-8	3"	DN80
0504104	DRVD100/16/2-8	4"	DN100
0504129	DRVD125/16/2-8	5"	DN125
0504154	DRVD150/16/2-8	6"	DN150
0504204	DRVD200/16/2-8	8"	DN200

Pout: 4-12 bar

0504055	DRVD50/16/4-12	2"	DN50
0504070	DRVD65/16/4-12	2 ^{1/2} "	DN65
0504085	DRVD80/16/4-12	3"	DN80
0504105	DRVD100/16/4-12	4"	DN100
0504130	DRVD125/16/4-12	5"	DN125
0504155	DRVD150/16/4-12	6"	DN150
0504205	DRVD200/16/4-12	8"	DN200

PN: 25 bar

Pout: 1.5-6 bar

0504050	DRVD50/25	2"	DN50
0504065	DRVD65/25	2 ^{1/2} "	DN65
0504080	DRVD80/25	3"	DN80
0504100	DRVD100/25	4"	DN100
0504125	DRVD125/25	5"	DN125
0504150	DRVD150/25	6"	DN150
0504200	DRVD200/25	8"	DN200

Pout: 2-8 bar

0504051	DRVD50/25/2-8	2"	DN50
0504066	DRVD65/25/2-8	2 ^{1/2} "	DN65
0504081	DRVD80/25/2-8	3"	DN80
0504101	DRVD100/25/2-8	4"	DN100
0504126	DRVD125/25/2-8	5"	DN125
0504151	DRVD150/25/2-8	6"	DN150
0504201	DRVD200/25/2-8	8"	DN200

Pout: 4-12 bar

0504052	DRVD50/25/4-12	2"	DN50
0504067	DRVD65/25/4-12	2 ^{1/2} "	DN65
0504082	DRVD80/25/4-12	3"	DN80
0504102	DRVD100/25/4-12	4"	DN100
0504127	DRVD125/25/4-12	5"	DN125
0504152	DRVD150/25/4-12	6"	DN150
0504202	DRVD200/25/4-12	8"	DN200

PN: 40 bar

Pout: 1.5-6 bar

0504056	DRVD50/40	2"	DN50
0504071	DRVD65/40	2 ^{1/2} "	DN65
0504086	DRVD80/40	3"	DN80
0504106	DRVD100/40	4"	DN100
0504131	DRVD125/40	5"	DN125
0504156	DRVD150/40	6"	DN150

Pout: 2-8 bar

0504057	DRVD50/40/2-8	2"	DN50
0504072	DRVD65/40/2-8	2 ^{1/2} "	DN65
0504087	DRVD80/40/2-8	3"	DN80
0504107	DRVD100/40/2-8	4"	DN100
0504132	DRVD125/40/2-8	5"	DN125
0504157	DRVD150/40/2-8	6"	DN150

Pout: 4-12 bar

0504058	DRVD50/40/4-12	2"	DN50
0504073	DRVD65/40/4-12	2 ^{1/2} "	DN65
0504088	DRVD80/40/4-12	3"	DN80
0504108	DRVD100/40/4-12	4"	DN100
0504133	DRVD125/40/4-12	5"	DN125
0504158	DRVD150/40/4-12	6"	DN150

DESIGN FEATURES

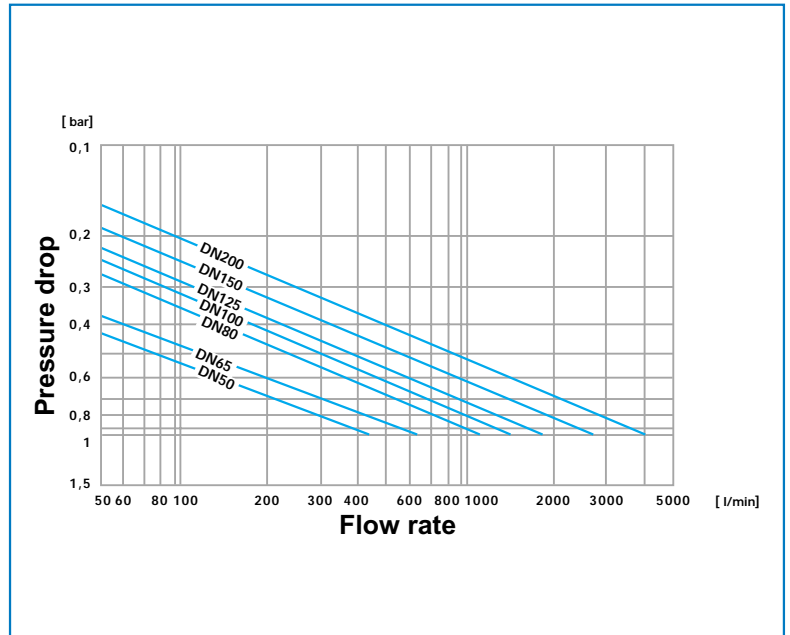
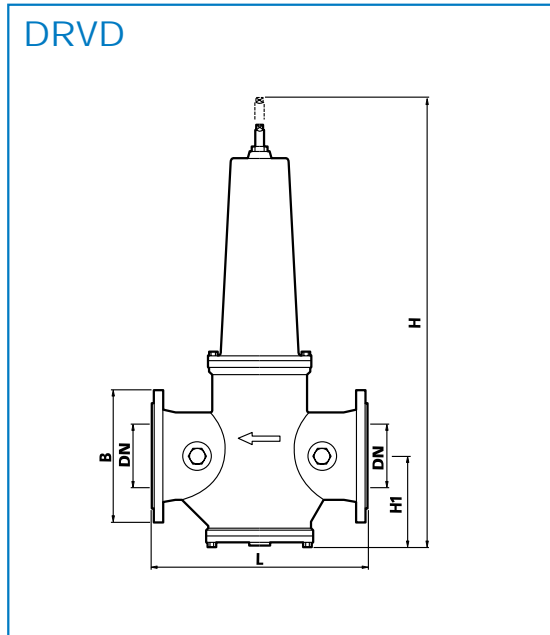
Body	Nodular cast iron GS400-15
Cap	Nodular cast iron GS400-15
Plug (ND 50 to 100) (ND 125 to 200)	Brass Galvanized steel
Seal	NBR
Lip seal	NBR
Seal ring	Bronze
Guide bushings	Bronze
Spring	Faced steel
Setting screw and lock nut	Galvanized steel
Finish	Epoxy resins (blue RAL 5017)

TECHNICAL CHARACTERISTICS

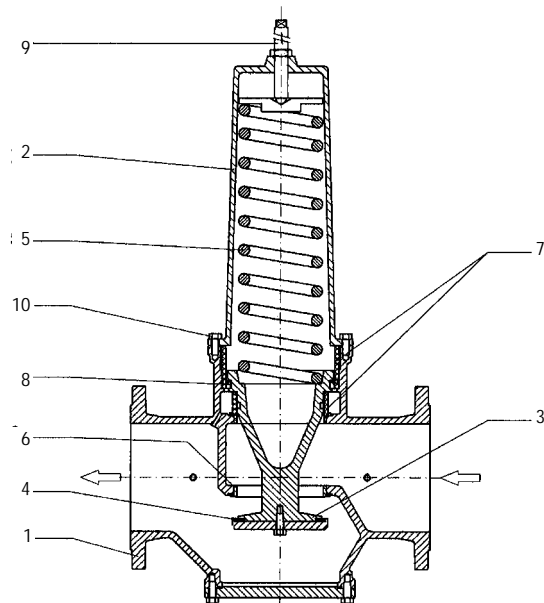
Max. upstream pressure	16 - 25 - 40 bar (ND200 only up to 25 bar)
Downstream pressure (outlet)	1.5 to 6 bar (standard) 2 to 8 bar (optional) 4 to 12 bar (optional)
Downstream pressure adjustment	Clockwise rotation: increase in pressure Anti-clockwise pressure: decrease in pressure
Connections	Flanged according to UNI2223 (NP16 - 25 - 40) ND200 only NP16 and NP25
Pressure gauge connections (upstream and downstream)	G 1/4 " ND50 to ND65 G 3/8" ND80 to ND200
Max. operating temperature	80° C

Overall dimensions (mm)

Flow rate - Pressure drop diagram



SIZE	L	H	H1	B PN16	B PN25	B PN40
50	230	383	83	165	165	165
65	290	440	90	185	185	185
80	310	490	100	200	200	200
100	350	561	121	220	235	235
125	400	712	152	250	270	270
150	450	839	169	285	300	300
200	550	1684	234	340	360	--



Key:

1. Body
2. Cap
3. Plug
4. Seal
5. Spring
6. Seal ring
7. Guide bushings
8. Lip seal
9. Setting screw
10. Cap screws