

DECOR Series



DECOR-100



DECOR-200

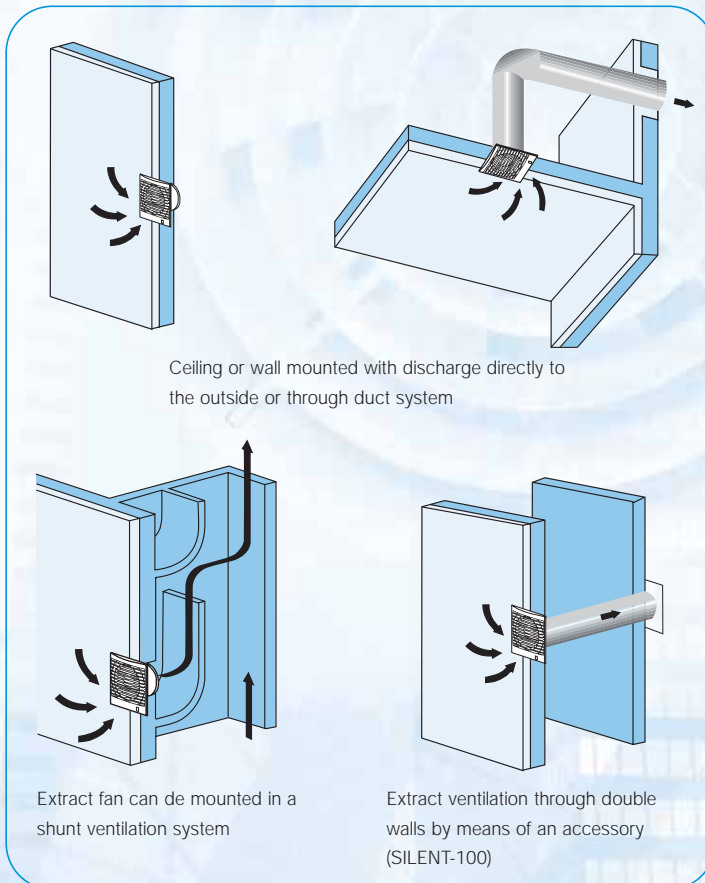


DECOR-300



0 015782 603073

Installation examples



Slime line axial flow fans for wall or ceiling installation, designed to remove odours and moisture in small rooms, toilets and bathrooms. The DÉCOR Series are easy to install, aesthetically pleasing, slimline and extremely quiet. The DECOR range consists of three different models: DECOR-100, DECOR -200 and DECOR -300, available with different integrated control options to accommodate all application requirements.

- C** Models fitted with back draft shutter.
- Z** Models including ball bearings greased for life.
- R** Model fitted with an adjustable Run-On-Timer keeping the fan in operation for the preset period of time after the fan has been switched off.
- H** Model with an adjustable humidistat.
- D** Model provided with a passive infra-red detector operating up to 4 m from the fan.

BATHROOM EXTRACT FANS

DECOR-100 Series



Range of axial extractors with airflow rates of approx. 100 m³/h, for connection to 100 mm diameter circular ducting.

All the fans are manufactured from injection moulded plastic, fitted with neon light indicator and single phase 230V-50Hz, class B motor equipped with overload thermal protection. The "Z" versions incorporate long life motors fitted with ball bearings. All the fans are class II insulation, IP44 rated and suitable to operate with air temperature up to 40°C.

Back draft shutter



To prevent air entry and limit heat leakage when the extractor is not operating. It opens due to the pressure of the air.

Models features

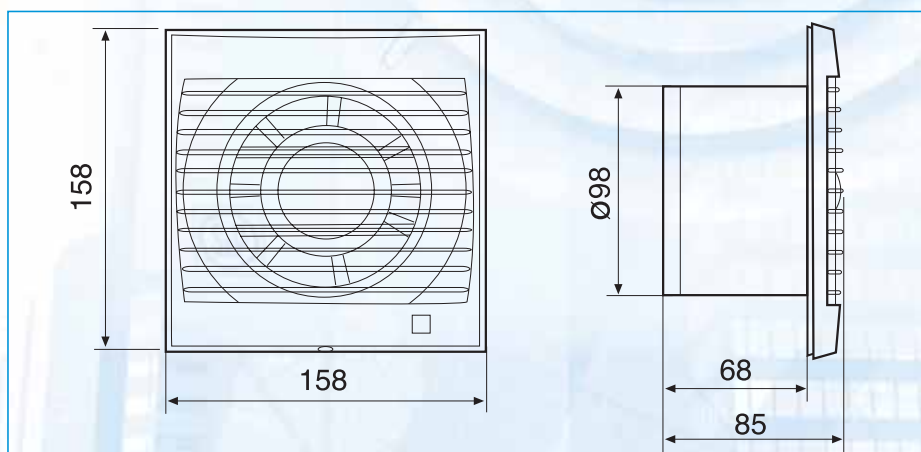
	C	CZ	CR	CRZ	CH	CHZ VISUAL	CD	CDZ	12V C
Neon light indicator	•	•	•	•	•	•	•	•	•
Automatic back draft shutter	•	•	•	•	•	•	•	•	•
Adjustable Run-On-Timer			•	•	•	•	•	•	*
Adjustable humidistat					•	•			
PIR detector							•	•	
Ball bearings		•		•		•		•	

* Using a CT-12/14 R transformer.

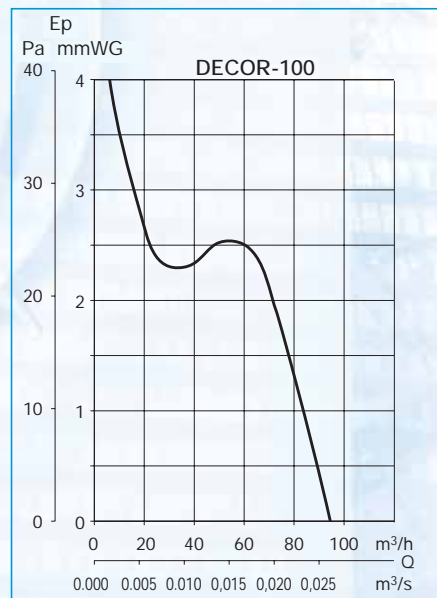
Technical characteristics

Model	Speed (r.p.m.)	Maximum absorbed power (W)	Voltage (V) 50 Hz	Maximum air flow (m ³ /h)	Sound pressure level (dB(A))	Weight (kg)	IP
DECOR-100	2500	13	230	95	40	0,44	□ IP44

Dimensions (mm)



Performance curve



Wall kit with fixed or automatic shutter

Accessories



GSA-100
Flexible aluminium ducting



GRA-70
Aluminium exterior grille



CX-80/125
Worm drive ducting clip

PER-100W
Back draft shutter

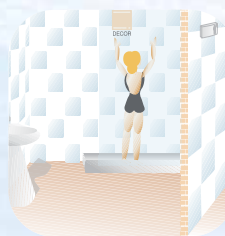


WINDOW KIT



DECOR-100 Models with special functions

DECOR-100 12V



Model SELV (Safety Extra Low Voltage). Specially designed to operate within the shower or bath volume with total safety. They are rated 12V, Class III and IP57.



DECOR-100 12V must be wired to a safety isolating **transformer CT-12/14** which must be located out of the reach of the water spray or person using a bath or shower. The transformer is IP21, class II insulation and protected by fuse. Also available, **Transformer CT12/14 R**, supplied with adjustable run-on-timer between 1 to 30 minutes.

DECOR-100 CD
DECOR-100 CDZ



Model provided with a PIR (passive infra-red) detector. The unit starts automatically when a movement is detected within a maximum distance of 4 meters from the fan. They are also fitted with an adjustable "run on" timer, from 1 to 30 minutes, to allow the fan continues operating after the initiation of the movement detection.

DECOR-100 CHZ
VISUAL



Models provided with an electronic humidistat which can be adjusted to 60, 70, 80 or 90% HR using a key situated on the front grille. Four luminous indicators show the desired level of humidity. The extractor operates automatically when the humidity level in the room is higher than the set level. The extractor will stop automatically when the humidity drops below the selected level and after the selected period set on the adjustable timer (1 and 30 minutes).

BATHROOM EXTRACT FANS

DECOR-200 Series



Range of axial extractors with airflow rates of approx. 180 m³/h, for connection to 120 mm diameter circular ducting.

All the fans are manufactured from injection moulded plastic, fitted with neon light indicator and single phase 230V-50Hz, class B motor equipped with overload thermal protection.

The "Z" versions incorporate long life motors fitted with ball bearings. All the fans are class II insulation, IP44 rated and suitable to operate with air temperature up to 40°C.

Back draft shutter



To prevent air entry and limit heat leakage when the extractor is not operating. It opens due to the pressure of the air.



Fans suitable to install in bathrooms between 8 and 15 m²

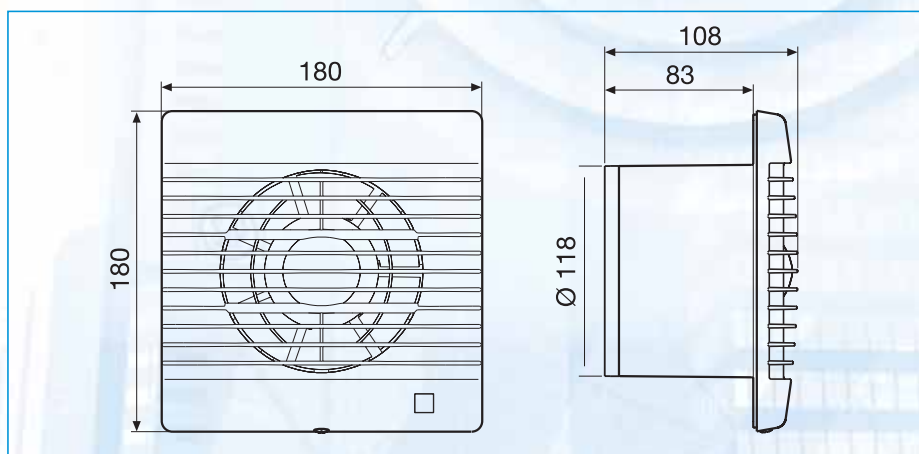
Models features

	C	CZ	CR	CRZ	CH
Neon light indicator	•	•	•	•	•
Automatic back draft shutter	•	•	•	•	•
Adjustable Run-On-Timer			•	•	•
Adjustable humidistat					•
Ball bearings		•		•	

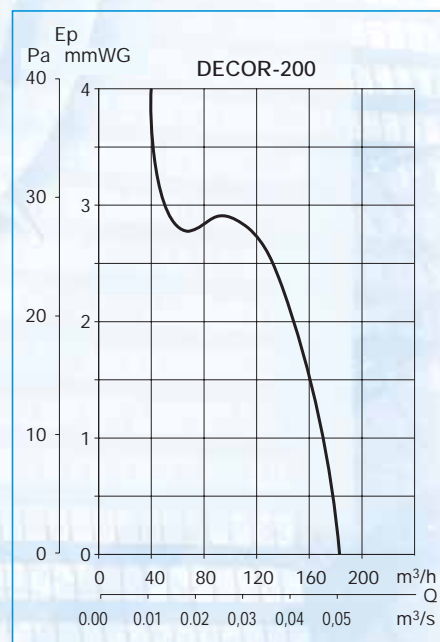
Technical characteristics

Model	Speed (r.p.m.)	Maximum absorbed power (W)	Voltage (V) 50 Hz	Maximum air flow (m ³ /h)	Sound pressure level (dB(A))	Weight (kg)	IP
DECOR-200	2500	20	230	185	45,5	0,8	☐ IP44

Dimensions (mm)



Performance curve



Accessories



GSA-125
Flexible aluminium ducting



GRA-150
Aluminium exterior grille



PER-125W
Back draft shutter

AXIAL EXTRACT FANS DECOR-300 Series



Range of axial extractors with airflow rates of approx. 280 m³/h, for connection to 150-160 mm diameter circular ducting.

All the fans are manufactured from injection moulded plastic and fitted with neon light indicator and single phase 230V-50Hz, class B motor equipped with overload thermal protection. The "Z" versions incorporate long life motors fitted with ball bearings. All the fans are class II insulation, IP45 rated and suitable to operate with air temperature up to 40°C.

Back draft shutter



Fans suitable to install at places between 15 and 25 m²



To prevent air entry and limit heat leakage when the extractor is not operating. It opens due to the pressure of the air

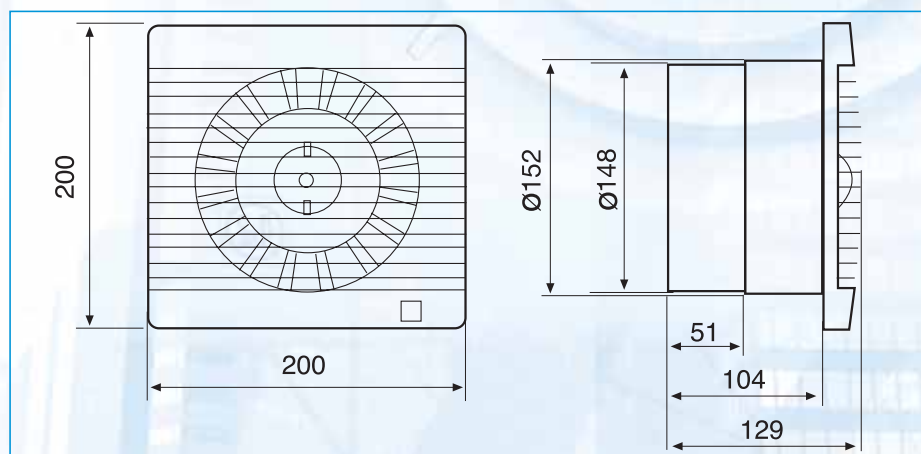
Models features

	S	C	CZ	R	CR	CRZ	H	CH
Neon light indicator	•	•	•	•	•	•	•	•
Automatic back draft shutter		•	•		•	•		•
Adjustable Run-On-Timer				•	•	•	•	•
Adjustable humidistat							•	•
Ball bearings			•			•		

Technical characteristics

Model	Speed (r.p.m.)	Maximum absorbed power (W)	Voltage (V) 50 Hz	Maximum air flow (m ³ /h)	Sound pressure level (dB(A))	Weight (kg)	IP
DECOR-300	2200	35	230	280	47	1,44	□ IP44

Dimensions (mm)



Performance curve



Accessories



GSA-150
Flexible
aluminium
ducting



GRA-150
Aluminium
exterior grille



PER-160W
Back draft
shutter



REB
Single phase
electronic
speed
controllers