

CENTRIFUGAL FANS

EBB-N Series

NEW



EBB-170N
EBB-250N



EBB-100N

The EBB-N extractor fans are suitable for many domestic and commercial ventilation applications where higher system resistance pressures are encountered. The range comprise of three models, EBB-100N, EBB-170N and EBB-250N, each available in different versions. The EBB-N models incorporate powerful forward curved centrifugal impeller with 2-speed single phase 230V50Hz, 4-pole (EBB-170N and 250N) or 2-pole motor (EBB-100N).

- “S” version: Standard models.
- “T” version: Models with adjustable run-on-timer.
- “HT” version: Models with internal humidistat and adjustable run-on-timer.



Back draft shutter



The EBB-N are fitted with an automatic back draft shutter to prevent air entry and limit heat leakage when the extractor is not operating

Forward curved centrifugal impeller



To deliver high airflow performances with a minimum of noise generation against high static pressure system resistance



Examples of installation

Extract ventilation through the wall or ceiling

Duct extract ventilation

Shunt duct extract ventilation system

Double wall or telescopic duct extract ventilation

Surface

Built-in

EBB-100 N



Features

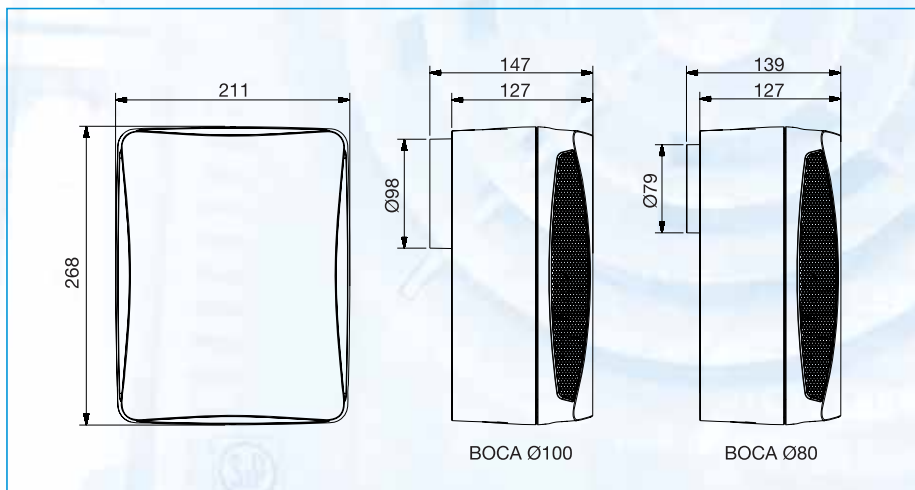
	S	T	HT
Backdraft shutter	•	•	•
Metal filters	•	•	•
Two speed	•	•	•
Adjustable Run-On-Timer		•	•
Internal humidistat			•

Technical characteristics

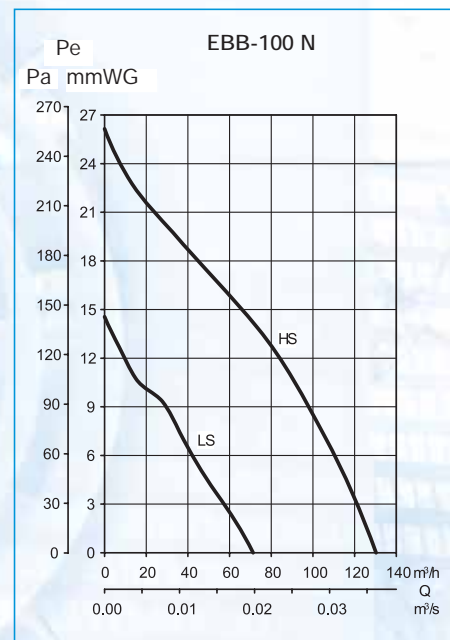
Model	Speed (r.p.m.)	Abs. power at free discharge (W)	Voltage (V) 50 Hz	Airflow at free discharge (m³/h)	Sound pressure level (dB(A))*	Weight (kg)	IP
EBB-100 N	HS 1600	35	230-240	130	46	1,8	☐ IP44
	LS 1050	15		75	34		

* At a distance of 1,5 m.

Dimensiones (mm)



Curvas características



Accessories



REB
Single phase electronic speed controllers



GSA-100
Flexible aluminium ducting



MRT-100
Circular duct joining piece



GRA-70
Aluminium external grille



CX-80/125
Worm drive ducting clip

CENTRIFUGAL FANS

EBB-170 N / EBB-250 N



Features

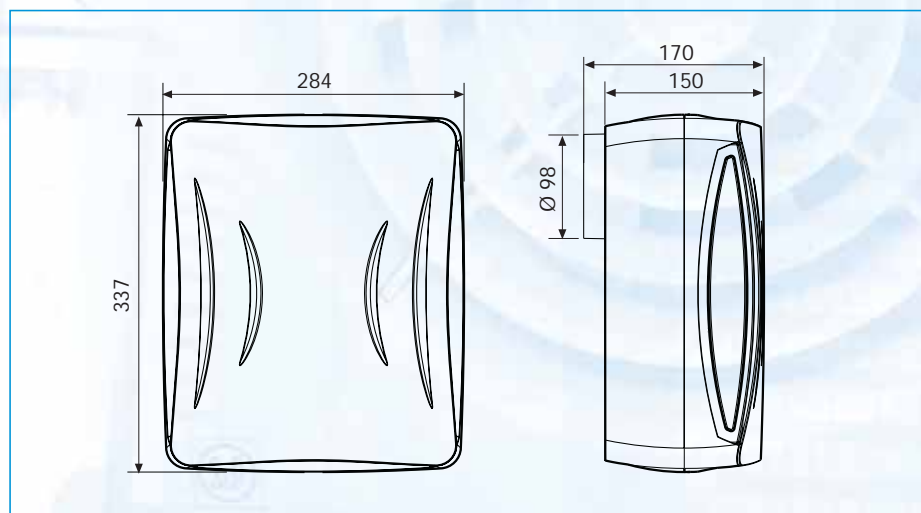
	S	T	HT
Backdraft shutter	•	•	•
Metal filters	•	•	•
Two speed	•	•	•
Adjustable Run-On-Timer		•	•
Internal humidistat			•

Technical characteristics

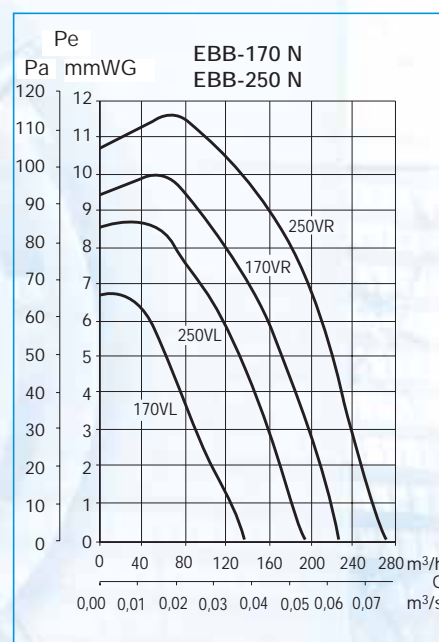
Model	Speed (r.p.m.)	Abs. power at free discharge (W)	Voltage (V) 50 Hz	Airflow at free discharge (m³/h)	Sound pressure level (dB(A))*	Weight (kg)	IP
EBB-170 N	1010	48	230-240	220	42,3	3	☐ IP44
EBB-250 N	1225	51	230-240	270	46	3	☐ IP44

* At a distance of 1,5 m.

Dimensions (mm)



Performance curves



Accessories



REB
Single phase electronic
speed controllers



GSA-100
Flexible aluminium
ducting



MRT-100
Circular duct
joining piece



GRA-70
Aluminium external
grille



CX-80/125
Worm drive
ducting clip

