



TWO STAGES GAS BURNERS LOW EMISSIONS

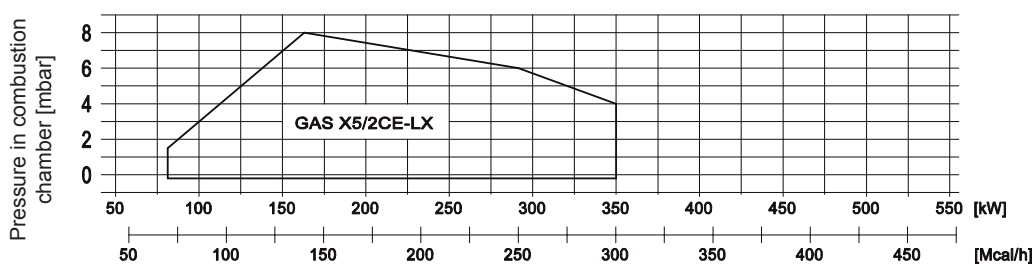


Burners for gas, double stage, aluminium frame, protection cover with noise reduction plate, combustion head with adjustment at high efficiency and high flame stability. Compact overall dimensions and disposition rationalized of the components with accessibility facilitated for the operations of setting and maintenance. Gas train complete of working valve double stage with flow adjustment, safety valve, gas pressure switch, filter stabiliser of gas pressure, completely assembled, electrically linked and tested. Versions F with cover of protection in steel and specific features for the application on industrial ovens and bakery ovens. Complete of connector 7 poles, flange and gasket for installation on boiler.

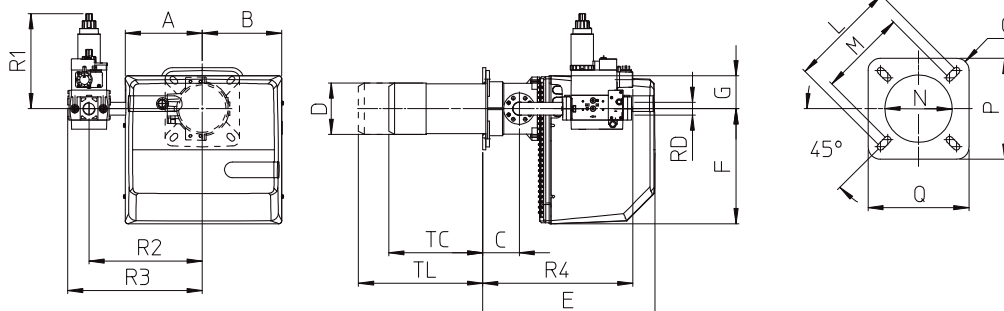
TECHNICAL DATA

MODEL		GAS X5/2CE-LX
Thermal power min-max	Mcal/h	70/140-300
Thermal power min-max	kW	81,2/162-349
Flow G20 (NATURAL GAS) min-max	Nm ³ /h	8,2/16,6-35
Fuel		NATURAL GAS (second family)
Fuel category		$I_{2R}, I_{2H}, I_{2L}, I_{2E}, I_{2E+}, I_{2E-}, I_{2ELL}, I_{2E(R)B}$
NOx	mg/kWh	<80 : class 3 (EN 676)
Intermittent operation (min. 1 arrest every 24 hours)		double stage
Environmental conditions operation/storage		-15...+40°C / -20...+70°C , relative umidity max 80%
Max temperature combustion air	°C	60
Min. pressure gas train D1"-S NATURAL GAS	mbar	30
Min. pressure gas train D1"1/4-S NATURAL GAS	mbar	19
Maximum pressure at the entry of the valves (Pe.max)	mbar	360
Nominal electric power	W	540
Motor fan	W	370
Nominal absorption	A	2,4
Power supply		1/N~230V-50Hz
Degree of electric protection		IP40
Noisiness min-max	dBA	67 - 71
Burner weight	kg	24

OPERATING RANGE: Thermal power - Pressure in combustion chamber



OVERALL DIMENSIONS (mm)



MODEL	A	B	C	D	E	F	G	L	M	N	O	P	Q	TC	TL	R1	R2	R3	R4	RD	Gas train weight
GAS X5/2CE-LX D1"-S	207	213	98	138	462	310	90	226	205	148	R30	220	220	250	335	255	305	362	403	Rp 1"	7,5 kg
GAS X5/2CE-LX-CT-D1"-S	207	213	98	138	462	310	90	226	205	148	R30	220	220	250	335	255	305	480	403	Rp 1"	8 kg
GAS X5/2CE-LX-D1"1/4-S	207	213	98	138	462	310	90	226	205	148	R30	220	220	250	335	255	305	362	450	Rp 1"1/4	8 kg
GAS X5/2CE-LX-CT-D1"1/4-S	207	213	98	138	462	310	90	226	205	148	R30	220	220	250	335	255	305	480	450	Rp 1"1/4	8,5 kg

The illustrations and data here shown are indicative. F.B.R. Bruciatori S.r.l. reserves the right to bring, without any obligation of warning, any changes that would be appropriate to the continuing development of their products.