



HEAVY OIL BURNERS SERIE FNDP

Progressive and modulating from 3418 up to 7406 kW



Burners for heavy oil two stages progressive or PID fully modulating with the addition of the optional system modulation kit plus feeder. Fan at high pressurisation, combustion head with adjustment at high efficiency and high flame stability complete of servomotor for the opening of the air shutters, suitable for heavy oil up to 20°E to 50°C and for BTZ heavy oil. Disposition rationalized of the components with accessibility facilitated for the operations of setting and maintenance.

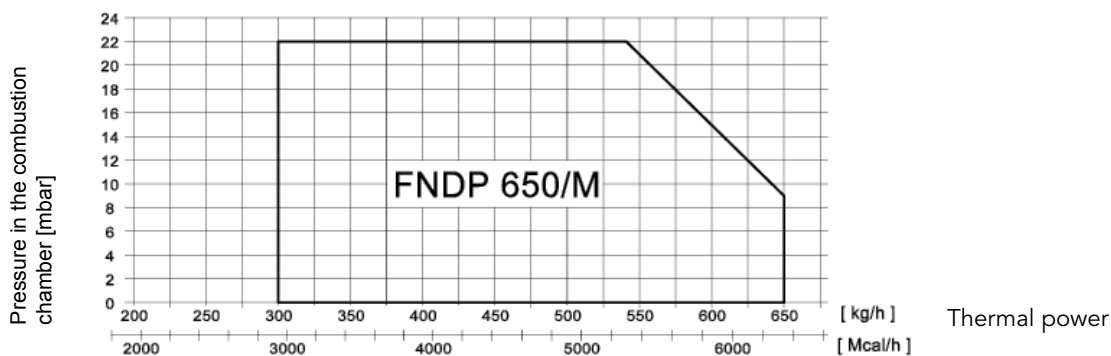
Complete of flange and gasket for installation on boiler, nozzles, flexible pipes, line filter electrically heated and equipped with a thermostat.

TECHNICAL DATA

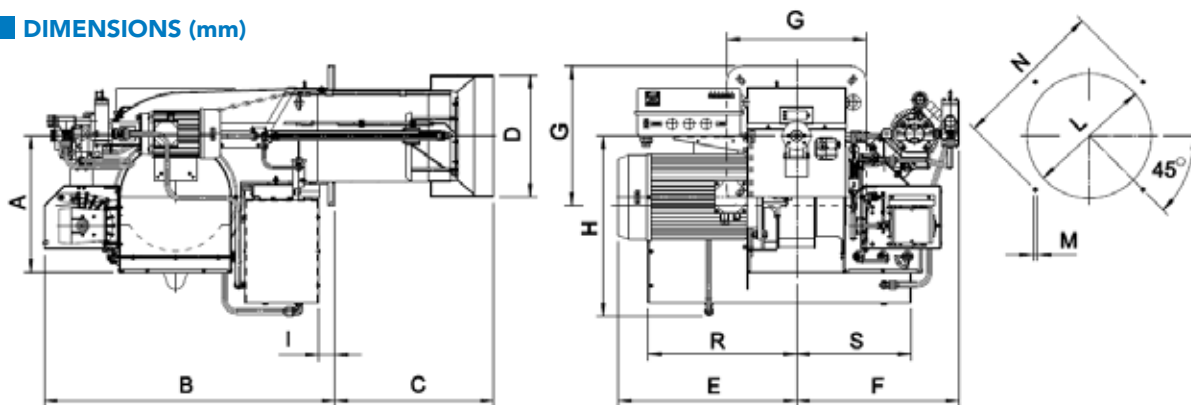
MODEL	FNDP 650/M	
Flow min-max*	kg/h	300-650
Thermal power min-max*	Mcal/h	2940-6370
	kW	3418-7406
Fuel	HEAVY OIL 5-20°E a 50°C	
Intermittent working operation (min. 1 stop every 24 hours) two stage progressive or modulating		
Environmental conditions operation/storage	-15...+40°C/-20...+70°C, rel. humidity max 80%	
Max temperature combustion air	°C	60
Nominal electric power	kW	66.2
Motor fan	kW	22
Motor pump	kW	2.2
Resistances	kW	42
Power supply	3~400V,1/N~230V-50Hz	
Degree of electric protection	IP44	
Burner weight	kg	440

* Reference conditions: Environment temperature 20°C - Barometric pressure 1013 mbars - Altitude 0 mt (sea level)

FIRING RATES: Thermal power - Pressure in combustion chamber



DIMENSIONS (mm)



MODEL	A	B	C	D	E	F	G	H	I	L	M	N min	N max	R	S
FNDP 650/M	481	1025	560	430	705	571	490	635	57	440	M14	552	580	520	400

Le illustrazioni e i dati riportati sono indicativi. F.B.R. Bruciatori S.r.l. si riserva il diritto di apportare, senza obbligo di preavviso, tutte le modifiche opportune, per l'evoluzione dei propri prodotti. The illustrations and data here shown are indicative. F.B.R. Bruciatori S.r.l. reserves the right to bring, without any obligation of warning, any changes that would be appropriate to the continuing development of their products.