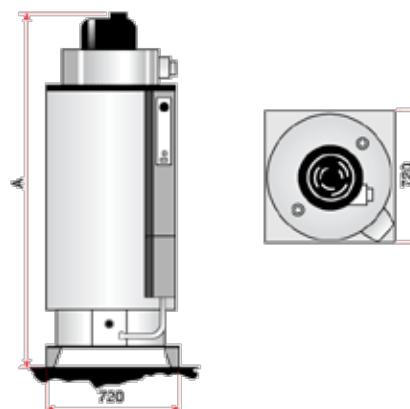
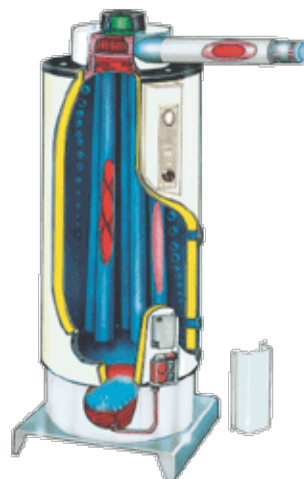



**SERIES
GSX SG**



DIMENSIONS in mm	GSX SG 220	GSX SG 300	GSX SG 400
A	1660	2015	2365

TECHNICAL DATA		STORAGE SERIES			
		FORCED DRAUGHT			
		SERIES	GSX SG SECURGAS		
FEATURES		MODEL	220	300	400
mounting system		UNIT	floor standing		
rated power with G20-natural gas		kW	28,5	31,0	31,0
useful power with G20-natural gas		kW	25,9	27,9	27,9
rated power with G300-G31-LPG		kW	28,5	31,0	31,0
useful power with G300-G31-LPG		kW	25,9	27,9	27,9
efficiency		%	91	90	90
utilizable gas	G20-natural gas			yes	
	G30-LPG			yes	
	G31-LPG			yes	
consumption	G20-natural gas	m ³ /h	3,01	3,28	3,28
	G30-LPG	kg/h	2,24	2,44	2,44
	G31-LPG	kg/h	2,21	2,40	2,40
burner			inox multigas		
heating time Δt° 40 °C		min	25	32	40
continous production at 40 °C*		lt/h	840	910	910
temperature adjustment				yes	
gas safety valve				yes	
over-heating safety cut-off				yes	
hydraulic safety valve				yes	
smoke exaust safety thermostat (cut-off)				yes	
thermometer				yes	
piezo ignition				automatic	
maximum working pressure		bar		6	
tank material				steel	

protection of the tank against corrosion			glass lined		
replaceable magnesium anode			yes		
thermal insulation			polyurethane		
connections	hot water outlet	inch	Ø 1" F		
	cold water inlet	inch	Ø 1" F		
	recycle	inch	Ø 1" F		
	gas	inch	Ø 1/2" F		
	smoke exhaust pipe diameter	mm	60 (air inlet 100)		
heat exchanger		m ²	-		
maximum length coaxial pipe		m	3	3	3
tension/frequency/power		V/Hz/W	230-240/50/26		
package	height	cm	141	176	211
	width	cm	78	78	78
	depth	cm	78	78	78
weight	net	Kg/h	194	245	278
	gross	Kg/h	211	256	300
certificates					
* Cold water temperature reference 15 °C					

Distributor: CALOR SRL
 Str. Progresului nr. 30-40, sector 5, Bucuresti
 tel: 021.411.44.44, fax: 021.411.36.14
www.calorserv.ro - www.calor.ro