



TSS

TOTAL SAFETY SYSTEM FOR STEAM BOILERS

Total safety system designed to guarantee totally safe boiler operation in compliance with the new European Directive in matter of boiler operation without supervision for 24 or 72 hours of continuous boiler operation.

This system – CE certified by Notified Body as an assembly complying with the European Directive 97/23/EC – consists of a series of equipments fitted and tested at our factory.



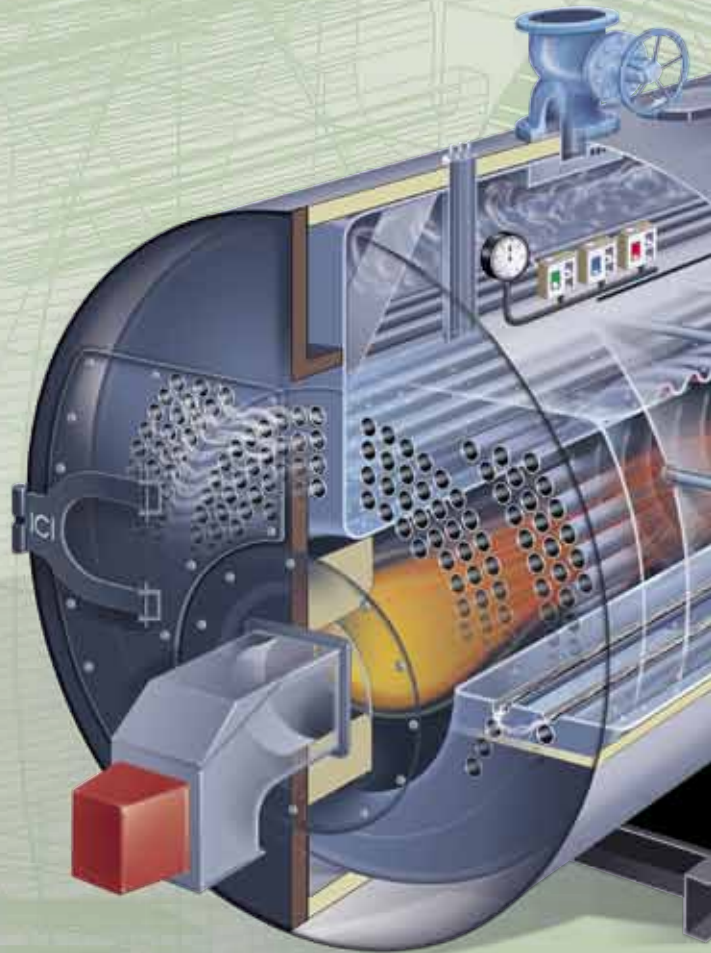
Pressure control system composed by:

- Safety pressure switch "fail safe", manual reset
- Continuous pressure transmitter

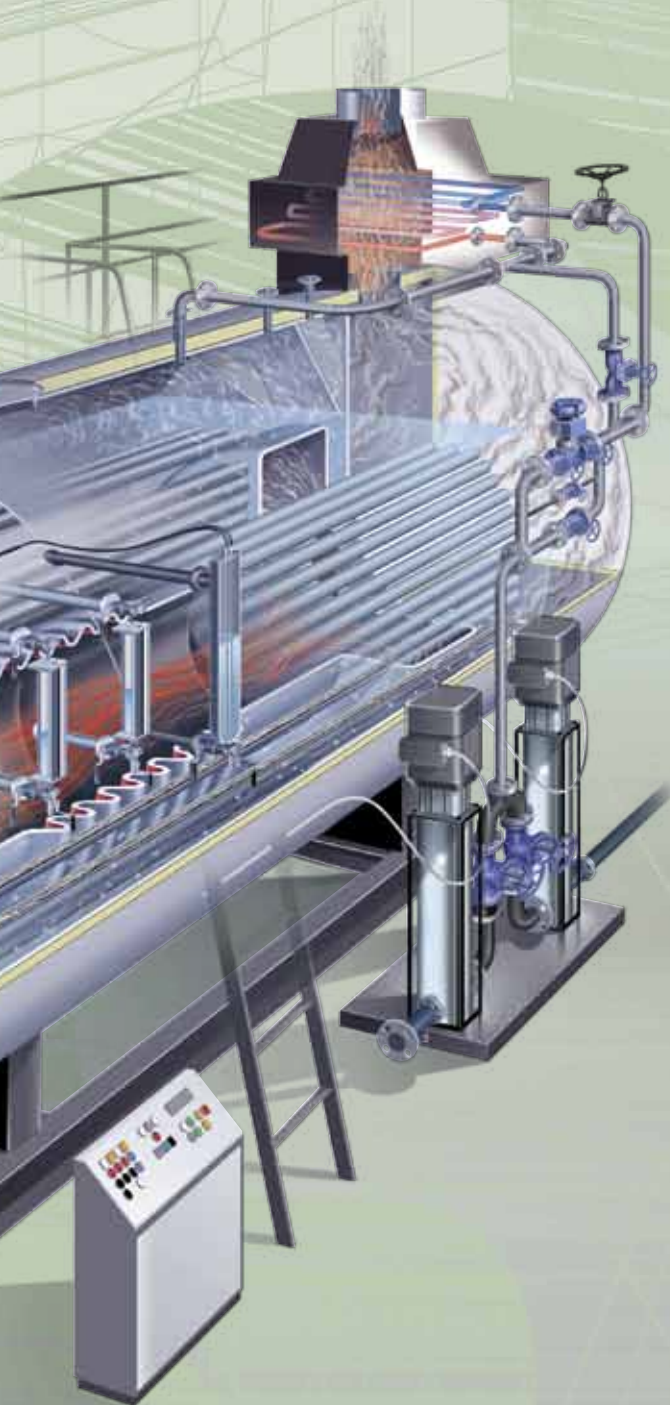


Level control system composed by:

- Two independent "fail safe" low level probes connected to two distinct self monitoring relays
- One high level alarm probe
- Capacitance probe for continuous level monitoring

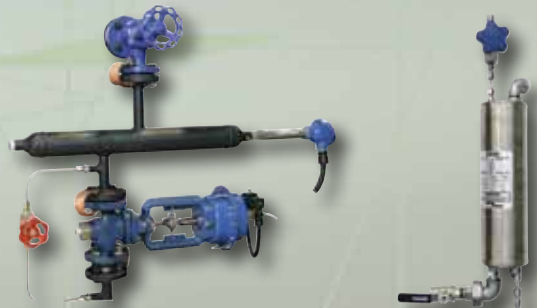


Description	Code	Remarks
TSS 24	86900060	24 hours
TSS 72	86900061	72 hours

Boiler blowdown control system composed by:

- Pneumatic valve with handle for manual operation, closed on power failure
- Compressed air solenoid valve



Boiler TDS control system composed by:

- Conductivity probe for TDS level measuring with temperature compensation function
- blowdown pneumatic valve
- sample cooler



Boiler main control panel certified for the management of the safety chains with self diagnosis function, comprising:

- Integrated PLC for setting and visualizing the statuses and alarms with self-monitoring logics
- Board mounted operator panel with "user friendly" interface