



FLOOR STANDING BOILERS RMG MK. II

Distributor: CALOR SRL
Str. Progresului nr. 30-40, sector 5, Bucuresti
tel: 021.411.44.44, fax: 021.411.36.14
www.calorserv.ro - www.calor.ro



sime®



The Sime logo, featuring a stylized white bird or flame shape above the word "sime" in a bold, blue, sans-serif font, with a registered trademark symbol (®) to the right.



RMG MK. II

RMG Mk.II and **RS Mk.II** gas boilers are cast-iron made and are developed and manufactured in order to meet the demands of heating installations of middle and high output, thanks to the possible connection of several generators. The **RMG Mk.II** line of boilers has a range of 70 to 108 kW of output, while the **RS Mk.II**

units are available in a range between 129 and 279 kW. These units can be equipped with different feeding gas types and comply to the EEC Gas Directive 90/396, EEC Electromagnetic Compatibility Directive 89/336, EEG Low Tension Directive 73/23 and the EEC Performance Directive 92/42.

Modular expansion

In order to better distribute the thermal charges on large surfaces such as a house and/or a commercial or industrial estate, it is possible to make modular configurations with several **RMG/RS Mk.II** units.

Up to two/three boilers in sequence complete with pumps/zone valves can be managed, as well as the preparation of an external D.H.W. tank.



A modular installation of two RS Mk.II units

The simplicity of the controls

The control panel is simple and intuitive.

The initial set up allows for the fitting of a climatic thermoregulator (**RVA 43**) that, in connection with

an external sensor, will improve the performances and reduce the fuel seasonal consumption.



List of functions / devices

- ▶ 1 Main switch
- ▶ 2 Boiler thermostat
- ▶ 3 Thermometer
- ▶ 4 Smoke safety device
- ▶ 5 Safety thermostat
- ▶ 6 Lock-out button

Safety and versatility

The two-step combustion system of **RMG Mk.II** and **RS Mk.II** leads to a higher performance and reduces the thermal inertia. The **RS Mk.II** units are equipped with an additional gas valve. The small dimensions of the **RMG Mk.II**, together with the possible reversibility of the hydraulic and gas connections facilitate the installation, even when the room available is a key factor.



Modular power

By means of the **RVA43** (optional) climatic regulator, the performance of the product reach its best. The system guarantees a high seasonal efficiency, a reasonably low fuel consumption thanks to the adjustable flow temperature, high comfort and control of the required room temperature.

The **RVA 43** climatic regulator adopts the principle of a climatic thermoregulation connected to an external sensor. It is able to:

- ▶ Manage the system made of up to three appliances;
- ▶ Manage the continuous modulation of the system's power;
- ▶ Manage the sequenced turning on and off of the various units;
- ▶ Adapt itself to the heating requirements (by means of the external sensor);
- ▶ Adapt the system according to the external temperature;
- ▶ Automatically switch between summer / winter modes if temperatures rise above the set values;
- ▶ Activate and deactivate the domestic water



system using a button on the regulator (if the system is connected to an external boiler);

- ▶ Manage the supply of the domestic water (if the system is connected to an external boiler) on a weekly basis;
- ▶ Priority activation of the production of domestic hot water (if the system is connected to an external boiler);
- ▶ Guarantee the diagnostic of any possible failure.



List of functions / devices

- ▶ **1** Setting of the room temperature
- ▶ **2** Setting to the selected parameter
- ▶ **3** Parameter selection
- ▶ **4** Display of readings, settings and operating status
- ▶ **5** Operating rate buttons
- ▶ **6** LED function key for manual operation
- ▶ **7** PC connection for diagnosis and repair

A cast-iron soul

Cast iron is an alloy whose properties remain unaltered throughout time and means reliability, long life and ease of maintenance.

The particular shape of the cast-iron heat exchanger leads to a perfectly balanced

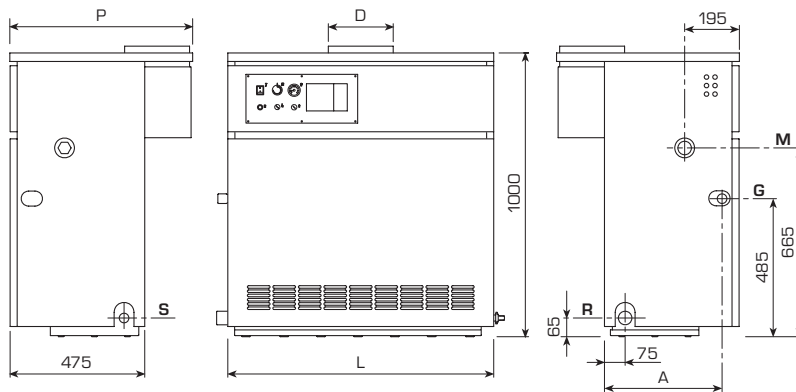
combustion with very low gas exhaust emissions.

These are the most remarkable results that have been achieved by Sime through more than thirty years of experience.

Technical data

RMG Mk.II		70 Mk.II	80 Mk.II	90 Mk.II	100 Mk.II	110 Mk.II
Heat output	kW	49,1 - 70,1	56,0 - 78,7	63,0 - 90,0	69,9 - 98,6	74,7 - 107,9
	kcal/h	42.200 - 60.300	48.200 - 67.700	54.200 - 77.400	60.100 - 84.800	64.200 - 92.800
Heat input	kW	77,9	87,4	100,0	109,5	120,5
	kcal/h	67.000	75.200	86.000	94.200	103.600
Efficiency at max. output	%	90,1	90,0	90,0	89,9	89,5
Efficiency at 30% of the output	%	87,1	87,2	87,4	87,5	86,4
Cast iron sections	no.	8	9	10	11	12
Absorbed electrical power	W	16	16	16	16	69
Water content	litres	25	28	31	34	37
Maximum water head	bar	4	4	4	4	4
Weight	kg	238	266	294	322	350

Overall dimensions - Hydraulic connections



Dimensions

Model	P mm	D ø mm	L mm	A mm
70 Mk.II	645	180	840	415
80 Mk.II	645	180	940	415
90 Mk.II	645	200	1040	415
100 Mk.II	645	225	1140	415
110 Mk.II	670	250	1240	400

Connections

Model	Connection	Size
M	C.H. flow	1 ½"
R	C.H. return	1 ½"
G	Gas	1"
S	Discharge	3/4"

Technical and safety characteristics

	RMG Mk.II	Optional
Automatic ignition by means of flame ionization	▲	
Electric valve with double obturator, which in absence of flames, stops the gas flow	▲	
Multifunctional climatic adjuster "RVA 43.222" for the management of single boilers and in sequence up to sixteen boilers		▲
Room temperature controller "QAA 70" for the remote control of an area integrated with the climatic regulator "RVA 46.531"		▲
Boiler D.H.W. tank, zone temperature sensor "QAZ 21" cable L. 2000		▲
Two-steps combustion system allowing a higher performance and reducing the thermal inertia	▲	
External temperature sensor "QAC 31" for the activation of the automatic sliding of the heating temperature		▲
Temperature contact sensor "QAD 21" for cascade flow/return and zone		▲
Combination of vertical storage tanks for sanitary hot water made in stainless steel with a capacity of 500/1000/2000 litres		▲
Multifunctional climatic regulator "RVA 46.531" for the management of single boilers or as area adjuster in installations with mixing valves or pumps		▲
Safety thermostat and thermometer for the control of the C.H. temperature	▲	
Combination of smoke room with single scavenging flue for the disposition of two boilers RS Mk.II with the same potential	▲	