

# VASI PER IMPIANTI SOLARI

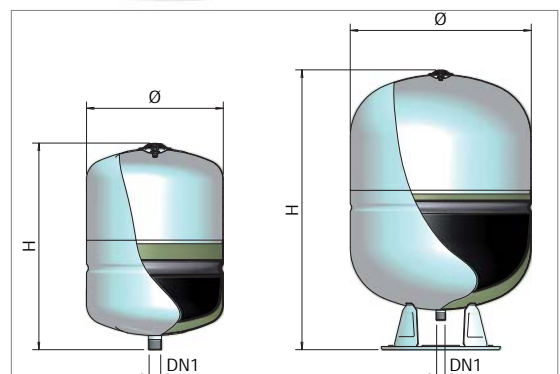
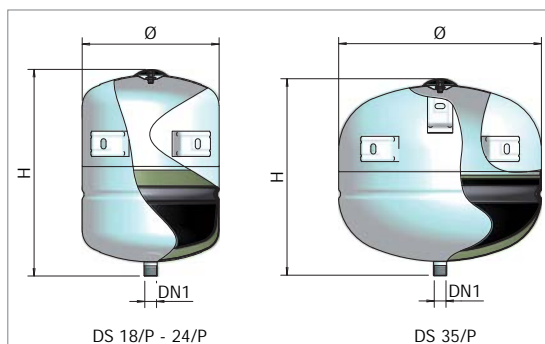
## TANKS FOR SOLAR SYSTEMS



**DS-CE**

- 10° ÷ + 110°C

MOD	COD	Ppre	Pmax				DN1		
DS-8 CE	A222L16	8	3	8	110°C	205	300	3/4"	210x210x320
DS-18 CE	A222L24	18	3	8	110°C	270	410	3/4"	280x280x310
DS 18/p CE	A232L24	18	3	8	110°C	270	410	3/4"	280x280x310
DS-24 CE	A222L27	24	3	8	110°C	320	355	3/4"	280x280x450
DS 24/p CE	A232L27	24	3	10	110°C	320	355	3/4"	280x280x450
DS-35 CE	A222L31	35	3	10	110°C	400	390	3/4"	410x410x410
DS 35/p CE	A232L31	35	3	10	110°C	400	390	3/4"	410x410x410
DSV-50 CE	A242L34	50	3	10	110°C	400	585	3/4"	410x410x535
DSV-80 CE	A242L37	80	3	10	110°C	400	820	3/4"	410x410x860
DSV-100 CE	A242L38	100	3	10	110°C	500	775	3/4"	510x510x830
DSV-150 CE	A242L43	150	3	10	110°C	500	1005	3/4"	510x510x1040
DSV-200 CE	A242L47	200	3	10	110°C	600	1065	1"	610x610x1110
DSV-300 CE	A242L51	300	3	10	110°C	650	1240	1"	660x660x1290



**CALOR SRL**  
 Str. Progresului nr. 30-40, sector 5, Bucuresti  
 tel: 021.411.44.44, fax: 021.411.36.14  
[www.calorserv.ro](http://www.calorserv.ro) - [www.calor.ro](http://www.calor.ro)