

VIADRUS

power of heating

Kalor, Kalor 3, Termo

Cast-iron radiators – classic design



Kalor, Kalor 3, Termo

Radiator characteristic

KALOR, KALOR 3 and TERMO are a classic solution of your interior heating. These radiators with long-term attested segment construction made from high-quality cast-iron are cast in our own foundry.

They are a trouble-free replacement or radiator complementation at a reconstruction of existing gravity heating systems and also the systems with forced circulation. The radiators are delivered in 10-sectional batteries with surface finishing – water-based white colour.

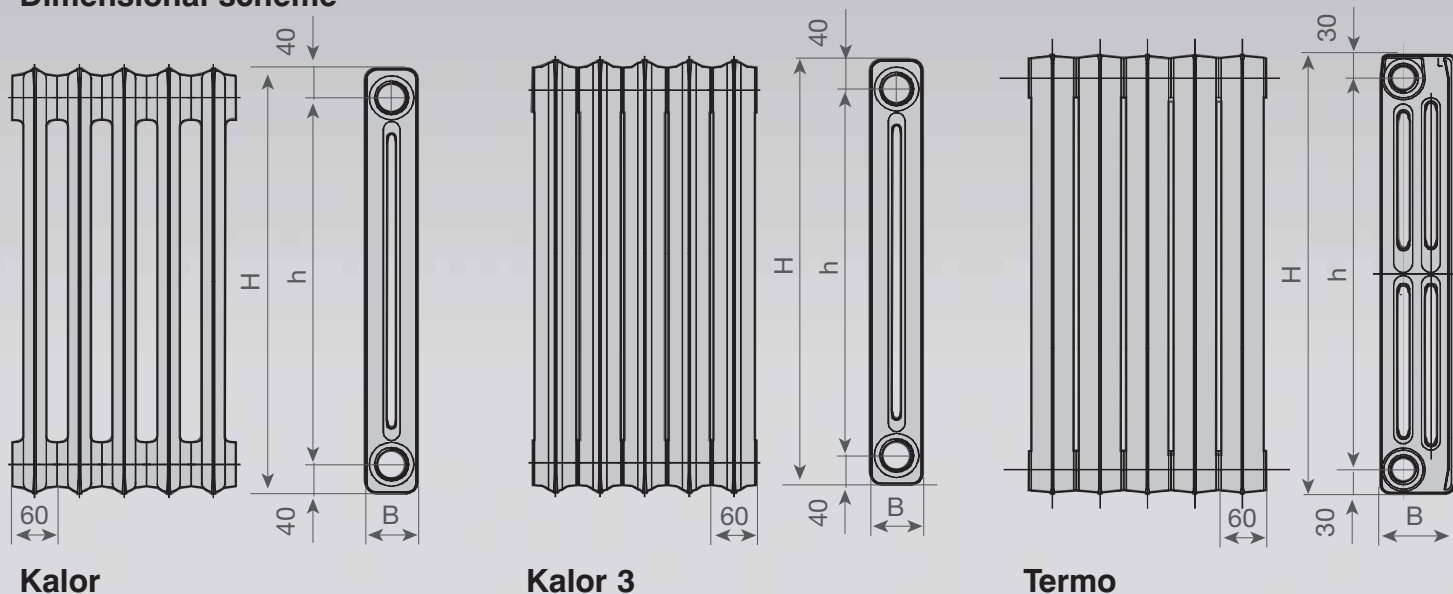
These standard batteries have 10-year guarantee. There is possibility of making of prefabricated batteries with requested power output (number of segments) and in the final coloured version to order according to the customer's request.

There is an optional elegant solution of bottom connection with help of built-in ITV thermostatic valve.

Radiator advantages

- ▶ Practically unlimited service life
- ▶ Simple cleanability and hygienic operation at the KALOR type
- ▶ Optional body assemblage according to the required power output
- ▶ Prefabrication with final surface finishing by request
- ▶ Possibility of ITV version at the whole type and dimensional series
- ▶ Potential additional power output change

Dimensional scheme



VIADRUS

www.viadrus.cz

ITV – in-built thermostatic valve

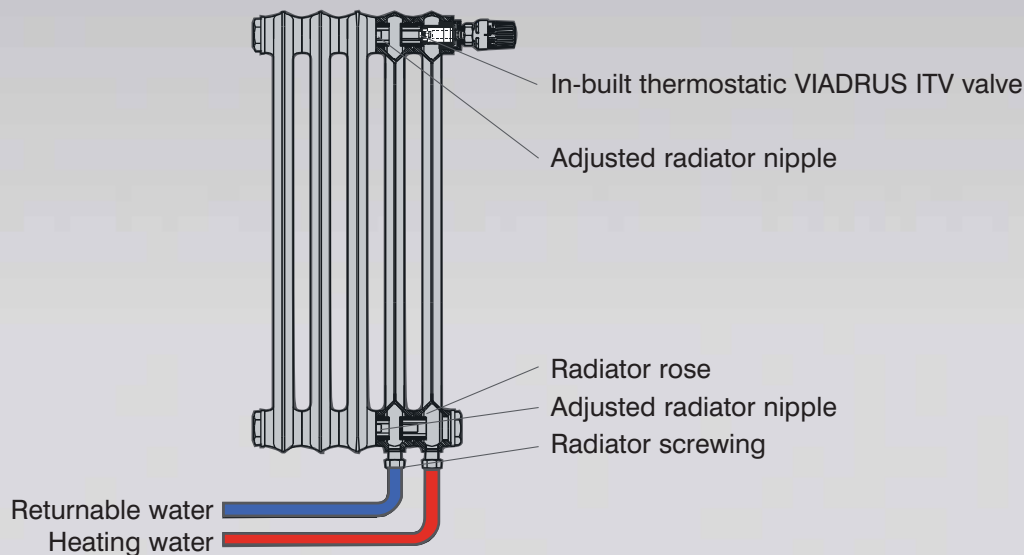
ITV characteristic

An in-built thermostatic valve re-dimensions the boiler bodies at conservation of all cast-iron radiators advantages. It allows the radiator connection from the floor or possibly from the wall tightly above the floor. The ITV series consists of a marginal double-segment and of a self-thermostatic valve or possibly of thermoregulatory kiln head.

ITV advantages

- ▶ Applicable for all VIADRUS radiators except from the BOHEMIA type
- ▶ It allows the bottom connection of boiler bodies
- ▶ Optional complementation to the standard radiators
- ▶ Elegant appearance of the cast-iron radiator

Bottom ITV connection



VIADRUS

ŽDB GROUP a.s. / závod VIADRUS
 Bezručova 300 / 735 93 Bohumín / CZ
 Tel.: +420 596 083 050 / Fax: +420 596 082 822
 www.viadrus.cz / info@viadrus.cz
 ŽDB GROUP a.s., člen skupiny KKCG Industry

Basic technical parameters

Type	Connecting pitch / depth h/B	Connecting thread	Overall height H	Segment weight	Segment power output		Heating equivalent area	Water volume per segment
	mm	inch	mm	kg / pc	75/65/20°C W / pc	90/70/20°C W / pc		
KALOR	350/160	5/4"	430	4,30	70,3	88,3	0,185	0,8
	500/70	5/4"	580	3,20	53,8	67,4	0,120	0,5
	500/110	5/4"	580	4,00	70,3	88,3	0,180	0,8
	500/160	5/4"	580	5,60	91,7	115,2	0,255	1,1
	500/220	5/4"	580	6,95	119,7	151,3	0,345	1,3
	600/160	5/4"	680	6,60	109,8	138,4	0,306	1,2
	900/70	5/4"	980	5,20	82,9	104,7	0,205	0,8
KALOR 3	900/160	5/4"	980	10,60	149,7	190,1	0,440	1,5
	350/160	5/4"	430	4,90	82,9	104,1	0,208	0,8
	500/70	5/4"	580	3,70	60,8	76,5	0,163	0,5
	500/110	5/4"	580	4,70	78,3	98,5	0,215	0,8
	500/160	5/4"	580	6,20	102,2	129,3	0,290	1,1
TERMO	900/70	5/4"	980	6,10	95,8	121,6	0,240	0,8
	500/95	1"	560	4,35	73,4	92,9	0,192	0,6
	500/130	1"	560	5,36	91,0	115,2	0,254	0,8
	623/95	1"	683	5,08	88,7	112,8	0,230	0,8
	623/130	1"	683	6,46	108,8	137,9	0,303	1,0
	813/95	1"	873	6,70	109,3	139,6	0,310	1,0
	813/130	1"	873	8,80	136,1	173,0	0,380	1,3

Surface finishing according to the RAL colour atlas range

Your dealer: