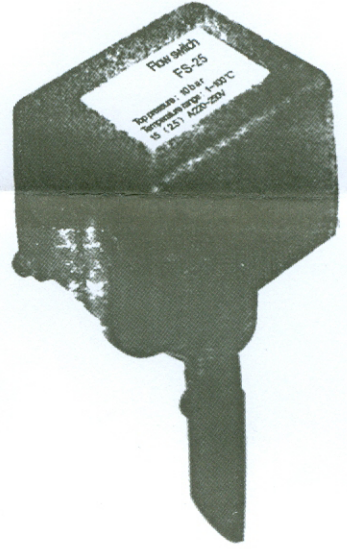


FLOW SWITCH FS-25

1. Summary

- Used to feel the change of liquid flux in the pipe. It is switch and signal.
- The switch can be adjusted.
- The switch used SPDT micro-switch. It has the characteristic of speediness, which makes sure the instantaneity of the switch.
- This switch is hermetic frame. It can work under any environment.
- The temperature of liquid inside can be 0-120°C



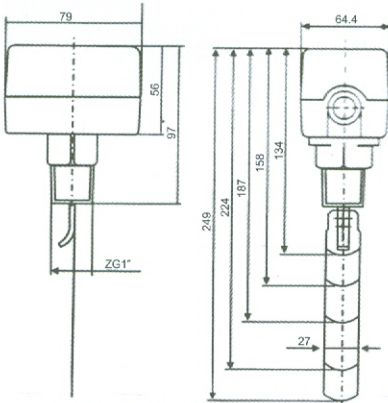
2. Rating data for electric

Rating		voltage (V)	Efficiency (cos Φ)	125V. AC	250V. AC
Rating current (A)					
Load current without inducement			1	15	15
Load current with inducement	Etamal current		0.75	3.5	2.5
	Instantaneous current		0.45	21	15

3. Specifications

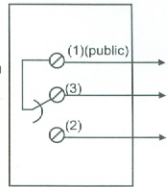
Model	The size of throttle valve	connect	The maximum pressure (MPa)	Liquid temperature (°C)	Weight (kg)	The range of rate of flow (L/min)				
						Minimum		Maximum		
						Flux decrease	Flux increase	Flux decrease	Flux increase	
FS-25	3"	1" R (MPT)	1.0	5 ~ 120	0.6	1"	18	21	45	50
						2"	50	58	150	155
						3"	100	115	225	260

4. The drawing



Circuit diagram:

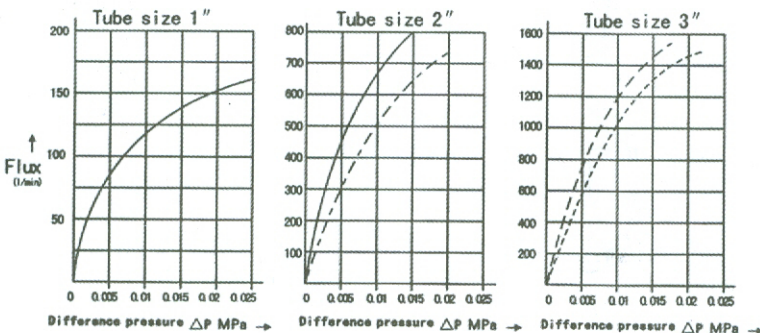
Adjust this bolt the position of reed which is connected with the paddle can be adjusted.



Adjust the flux:
When the bolt is turned on the anticlockwise direction, the spring will compress, then the flux will be higher, otherwise the flux will be lower.

5. Characteristic for loss of pressure

This drawing show tubing of 1/2/3 inch and show combined use for tubing of 1/2/3 inch. The engender pressure loss on different throttle valve.



— Throttle valve for 1 inch
- - - Throttle valve for 2 inch
- · - Throttle valve for 3 inch