



## ECO HIGH-EFFICIENCY REGULATED THREADED PUMPS NMT -/40

NMT

### PERFORMANCE

High efficiency ECM motor series pumps with canned motor and permanent magnets. Variable pressure control and constant speed. For use in water system according to requirements of VDI 2035.

### APPLICATIONS FOR

All heating systems, air condition systems, closed loop cooling systems and industrial circulatory systems. The implementation bronze casing SAN for the usage in drinking water circulation systems.

### OPERATION

#### $\Delta p$ -Proportional pressure control

After selecting level pump recognizes the lowest resistance of the system and automatically adjusts its own strain.

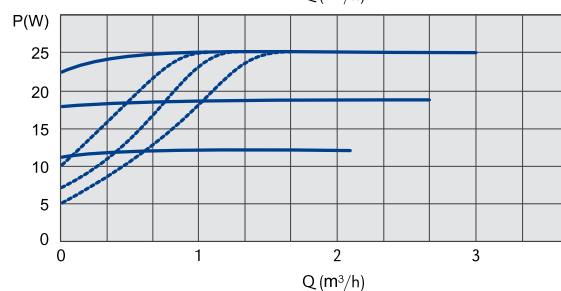
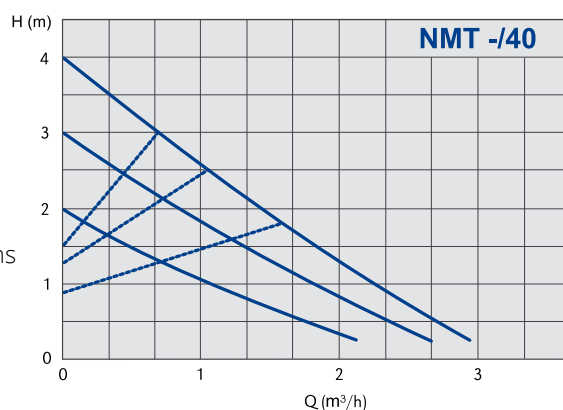
#### $\Delta p$ -Constant speed

After selection pump works in three different speeds

### PRODUCT DESCRIPTION

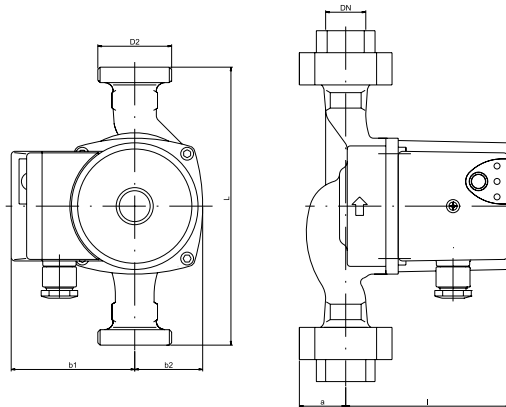
- High efficiency ECM technology
- Energy savings
- Proportional pressure control
- Constant speed
- Easy handling and installation
- Robust and compact construction for long life
- Automatic venting
- Low noise operation
- Single body, which allows a variety of mounting positions
- Possibility of housing with cataphoretic
- Twin pump option
- The possibility of an analog input signal 0-10 V

Pump component	Material
Housing	Cast iron
Impeller	Polyamid
Shaft	Ceramics
Rotor can	Ceramics
Ventricular wall	Stainless steel
Rotor can	Stainless steel



NMT	Pipe connection	DN	Fitting length	N. Pressure	Weight	Code
NMT 15/40-130	Rp ½	15	130 mm	PN 10 bar	1,9 kg	979522028
NMT 20/40-130	Rp ¾	20	130 mm	PN 10 bar	2,0 kg	979522024
NMT 25/40-130	Rp 1	25	130 mm	PN 10 bar	2,1 kg	979522025
NMT 20/40-180	Rp ¾	20	180 mm	PN 10 bar	2,3 kg	979522042
NMT 25/40-180	Rp 1	25	180 mm	PN 10 bar	2,4 kg	979522043
NMT 32/40-180	Rp 1 ¼	32	180 mm	PN 10 bar	2,5 kg	979522044
NMT SAN 20/40-130	Rp ¾	20	130 mm	PN 10 bar	2,1 kg	979523133
NMT SAN 25/40-130	Rp 1	25	130 mm	PN 10 bar	2,2 kg	979523134
NMT ER 15/40-130	Rp ½	15	130 mm	PN 10 bar	1,9 kg	979523143
NMT ER 20/40-130	Rp ¾	20	130 mm	PN 10 bar	2,0 kg	979523144
NMT ER 25/40-130	Rp 1	25	130 mm	PN 10 bar	2,1 kg	979523145
NMT ER 20/40-180	Rp ¾	20	180 mm	PN 10 bar	2,3 kg	979523146
NMT ER 25/40-180	Rp 1	25	180 mm	PN 10 bar	2,4 kg	979523147
NMT ER 32/40-180	Rp 1 ¼	32	180 mm	PN 10 bar	2,5 kg	979523148

Dimensions	L	DN	D2	b1	b2	l	a
NMT 40	130/180	15/20/25/32	1"/5/4"/6/4"/2"	80	48	108	27/29/32



## TECHNICAL DATA

Flow Q up to 2,6 m<sup>3</sup>/h

Pressure H up to 4 m

Power 5 - 25 Watt

Nominal pressure 10 bar

### Permissible mediums

- Water, mixed with glycol, parameters must be checked in the mixture of water with over 20% of glycol
- Pure non-explosive liquid media free from mineral oils and without solid particles

### Permissible temperature range

- Medium temperature from +5 °C to +95 °C with max. surroundings temperature up to +40 °C

### Minimum inlet pressure

0,05 bar < 75 °C Temperature of medium

0,28 bar < 90 °C Temperature of medium

### Electrical connection

Voltage 1 ~ 230 V, 50/60 Hz

### Motor/Electronics

- Motor with permanent magnets
- The energy index EEI ≤ 0,20
- Built-in motor protection
- Control Δp or constant speed
- Degree of protection: IP 44
- Insulation class F
- Optional analog input signal 0 - 10 V



## ECO HIGH-EFFICIENCY REGULATED THREADED PUMPS NMT -/60

NMT

### PERFORMANCE

High efficiency ECM motor series pumps with canned motor and permanent magnets. Variable pressure control and constant speed. For use in water system according to requirements of VDI 2035.

### APPLICATIONS FOR

All heating systems, air condition systems, closed loop cooling systems and industrial circulatory systems. The implementation bronze casing SAN for the usage in drinking water circulation systems.

### OPERATION

#### $\Delta p$ -Proportional pressure control

After selecting level pump recognizes the lowest resistance of the system and automatically adjusts its own strain.

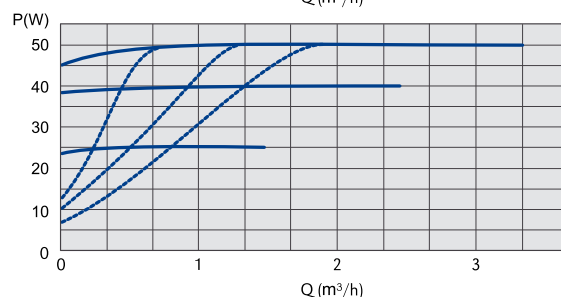
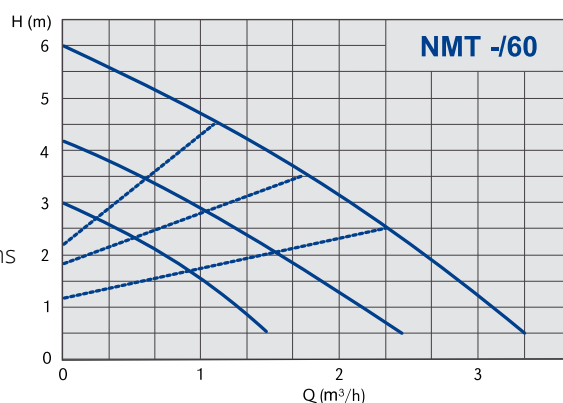
#### $\Delta p$ -Constant speed

After selection pump works in three different speeds

### PRODUCT DESCRIPTION

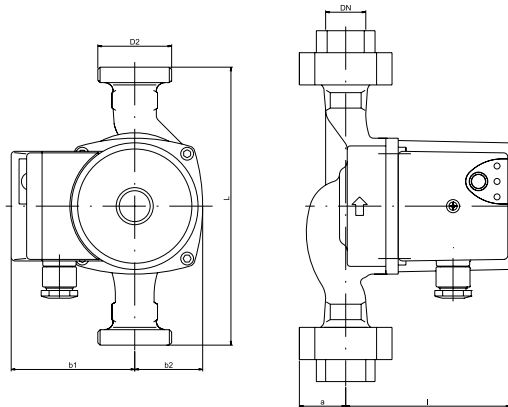
- High efficiency ECM technology
- Energy savings
- Proportional pressure control
- Constant speed
- Easy handling and installation
- Robust and compact construction for long life
- Automatic venting
- Low noise operation
- Single body, which allows a variety of mounting positions
- Possibility of housing with cataphoretic
- Twin pump option
- The possibility of an analog input signal 0-10 V

Pump component	Material
Housing	Cast iron
Impeller	Polyamid
Shaft	Ceramics
Bearings	Ceramics
Ventricular wall	Stainless steel
Rotor can	Stainless steel



NMT	Pipe connection	DN	Fitting length	N. Pressure	Weight	Code
NMT 15/60-130	Rp ½	15	130 mm	PN 10 bar	1,9 kg	979522029
NMT 20/60-130	Rp ¾	20	130 mm	PN 10 bar	2,0 kg	979522026
NMT 25/60-130	Rp 1	25	130 mm	PN 10 bar	2,1 kg	979522027
NMT 20/60-180	Rp ¾	20	180 mm	PN 10 bar	2,3 kg	979522046
NMT 25/60-180	Rp 1	25	180 mm	PN 10 bar	2,4 kg	979522047
NMT 32/60-180	Rp 1 ¼	32	180 mm	PN 10 bar	2,5 kg	979522048
NMT SAN 20/60-130	Rp ¾	20	130 mm	PN 10 bar	2,1 kg	979523135
NMT SAN 25/60-130	Rp 1	25	130 mm	PN 10 bar	2,2 kg	979523136
NMT ER 15/60-130	Rp ½	15	130 mm	PN 10 bar	1,9 kg	979523149
NMT ER 20/60-130	Rp ¾	20	130 mm	PN 10 bar	2,0 kg	979523150
NMT ER 25/60-130	Rp 1	25	130 mm	PN 10 bar	2,1 kg	979523151
NMT ER 20/60-180	Rp ¾	20	180 mm	PN 10 bar	2,3 kg	979523152
NMT ER 25/60-180	Rp 1	25	180 mm	PN 10 bar	2,4 kg	979523153
NMT ER 32/60-180	Rp 1 ¼	32	180 mm	PN 10 bar	2,5 kg	979523154

Dimensions	L	DN	D2	b1	b2	l	a
NMT 60	130/180	15/20/25/32	1"/5/4"/6/4"/2"	80	48	108	27/29/32



## TECHNICAL DATA

Flow Q up to 3,7 m<sup>3</sup>/h

Pressure H up to 6 m

Power 7 - 50 Watt

Nominal pressure 10 bar

### Permissible mediums

- Water, mixed with glycol, parameters must be checked in the mixture of water with over 20% of glycol
- Pure non-explosive liquid media free from mineral oils and without solid particles

### Permissible temperature range

- Medium temperature from +5 °C to +95 °C with max. surroundings temperature up to +40 °C

### Minimum inlet pressure

0,05 bar < 75 °C Temperature of medium

0,28 bar < 90 °C Temperature of medium

### Electrical connection

Voltage 1 ~ 230 V, 50/60 Hz

### Motor/Electronics

- Motor with permanent magnets
- The energy index EEI ≤ 0,22
- Built-in motor protection
- Control Δp or constant speed
- Degree of protection: IP 44
- Insulation class F
- Optional analog input signal 0 - 10 V



# ECO HIGH-EFFICIENCY REGULATED THREADED PUMPS NMT -/80

NMT

## PERFORMANCE

High efficiency ECM motor series pumps with canned motor and permanent magnets. Variable pressure control and constant speed. For use in water system according to requirements of VDI 2035.

## APPLICATIONS FOR

All heating systems, air condition systems, closed loop cooling systems and industrial circulatory systems. The implementation bronze casing SAN for the usage in drinking water circulation systems.

## OPERATION

### $\Delta p$ -Proportional pressure control

After selecting level pump recognizes the lowest resistance of the system and automatically adjusts its own strain.

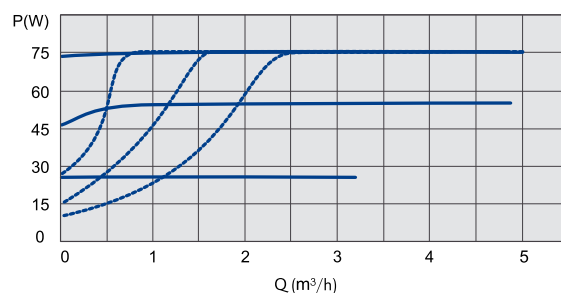
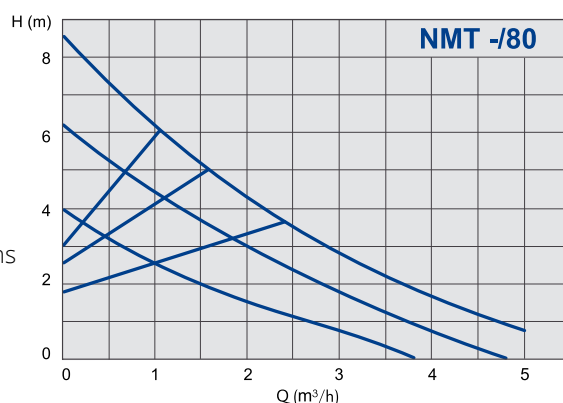
### $\Delta p$ -Constant speed

After selection pump works in three different speeds

## PRODUCT DESCRIPTION

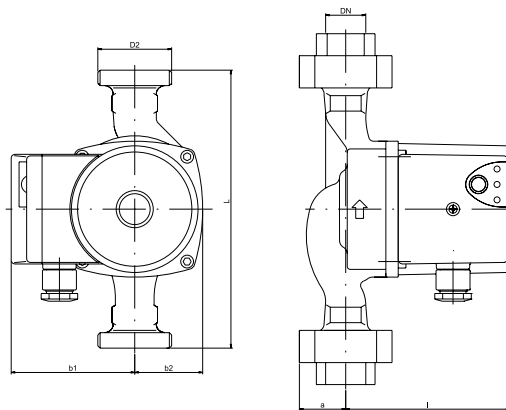
- High efficiency ECM technology
- Energy savings
- Proportional pressure control
- Constant speed
- Easy handling and installation
- Robust and compact construction for long life
- Automatic venting
- Low noise operation
- Single body, which allows a variety of mounting positions
- Possibility of housing with cataphoretic
- Twin pump option
- The possibility of an analog input signal 0-10 V

Pump component	Material
Housing	Cast iron
Impeller	Polyamid
Shaft	Ceramics
Bearings	Ceramics
Ventricular wall	Stainless steel
Rotor can	Stainless steel



NMT	Pipe connection	DN	Fitting length	N. Pressure	Weight	Code
NMT 15/80-130	Rp ½	15	130 mm	PN 10 bar	1,9 kg	979522969
NMT 20/80-130	Rp ¾	20	130 mm	PN 10 bar	2,0 kg	979522970
NMT 25/80-130	Rp 1	25	130 mm	PN 10 bar	2,1 kg	979522971
NMT 20/80-180	Rp ¾	20	180 mm	PN 10 bar	2,3 kg	979522972
NMT 25/80-180	Rp 1	25	180 mm	PN 10 bar	2,4 kg	979522973
NMT 32/80-180	Rp 1 ¼	32	180 mm	PN 10 bar	2,5 kg	979522974
NMT SAN 20/80-130	Rp ¾	20	130 mm	PN 10 bar	2,1 kg	979523137
NMT SAN 25/80-130	Rp 1	25	130 mm	PN 10 bar	2,2 kg	979523138
NMT ER 15/80-130	Rp ½	15	130 mm	PN 10 bar	1,9 kg	979523155
NMT ER 20/80-130	Rp ¾	20	130 mm	PN 10 bar	2,0 kg	979523156
NMT ER 25/80-130	Rp 1	25	130 mm	PN 10 bar	2,1 kg	979523157
NMT ER 20/80-180	Rp ¾	20	180 mm	PN 10 bar	2,3 kg	979523158
NMT ER 25/80-180	Rp 1	25	180 mm	PN 10 bar	2,4 kg	979523159
NMT ER 32/80-180	Rp 1 ¼	32	180 mm	PN 10 bar	2,5 kg	979523160

Dimensions	L	DN	D2	b1	b2	l	a
NMT 80	130/180	15/20/25/32	1"/5/4"/6/4/2"	80	48	108	27/29/32



## TECHNICAL DATA

Flow Q up to 4,5 m<sup>3</sup>/h

Pressure H up to 8 m

Power 7 - 75 Watt

Nominal pressure 10 bar

### Permissible mediums

- Water, mixed with glycol, parameters must be checked in the mixture of water with over 20% of glycol
- Pure non-explosive liquid media free from mineral oils and without solid particles

### Permissible temperature range

- Medium temperature from +5 °C to +95 °C with max. surroundings temperature up to +40 °C

### Minimum inlet pressure

0,05 bar < 75 °C Temperature of medium

0,28 bar < 90 °C Temperature of medium

### Electrical connection

Voltage 1 ~ 230 V, 50/60 Hz

### Motor/Electronics

- Motor with permanent magnets
- The energy index EEI ≤ 0,24
- Built-in motor protection
- Control Δp or constant speed
- Degree of protection: IP 44
- Insulation class F
- Optional analog input signal 0 - 10 V