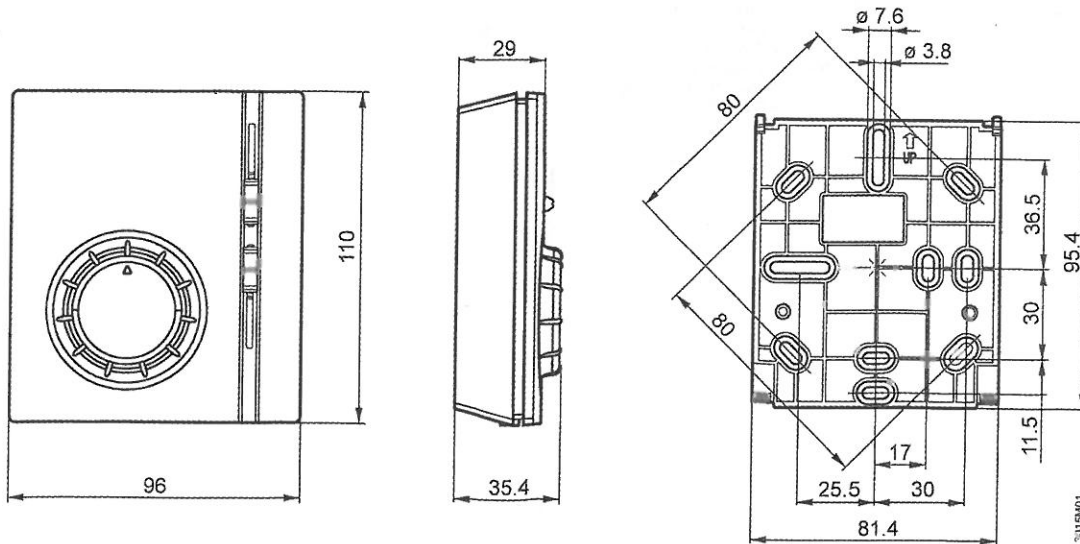
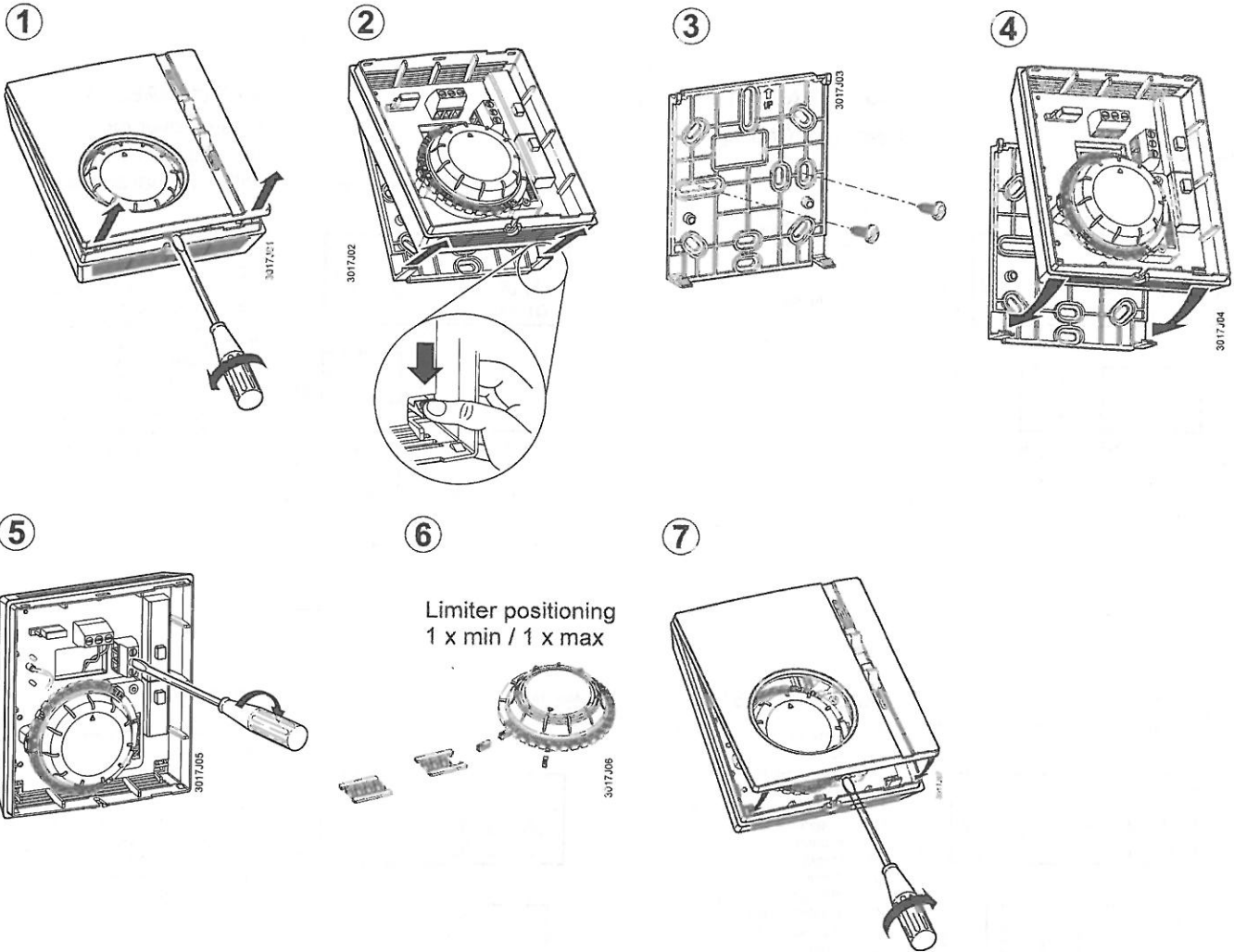
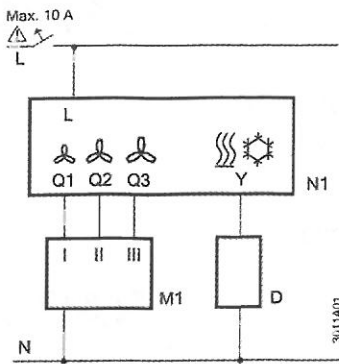


<b>de</b> Installationsanleitung	<b>es</b> Instrucciones de montaje	<b>el</b> Οδηγίες Εγκατάστασης
<b>en</b> Installation Instructions	<b>pt</b> Instruções de montagem	<b>sk</b> Návod na montáž
<b>fr</b> Instructions d'installation	<b>sv</b> Installationsanvisning	<b>cs</b> Montážní list
<b>it</b> Istruzioni di montaggio	<b>fi</b> Asennusohje	<b>pl</b> Instrukcja montażu
<b>nl</b> Installatie-aanwijzing	<b>da</b> Installationsvejledning	<b>hu</b> Telepítési leírás
<b>zh</b> 安装说明书		

## RAB...



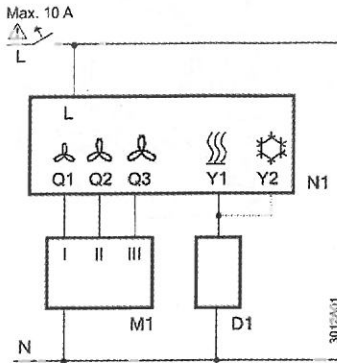
Dimensions in mm



### RAB11, RAB11.1

- L Switching voltage AC 24...250 V
- M1 3-speed fan
- N Neutral
- N1 Room thermostat
- Q1 Control output  
"Fan speed I", AC 24...250 V
- Q2 Control output  
"Fan speed II", AC 24...250 V
- Q3 Control output  
"Fan speed III", AC 24...250 V
- Y Control output  
"Valve actuator", AC 24...250 V
- D Zone valve or thermal valve

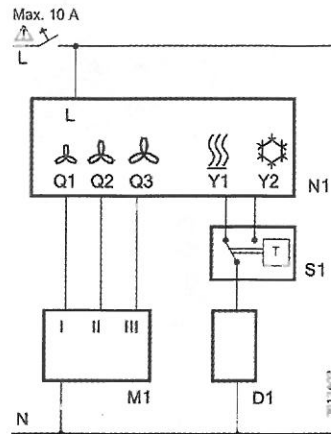
### RAB21, RAB21.1 Heating or Cooling



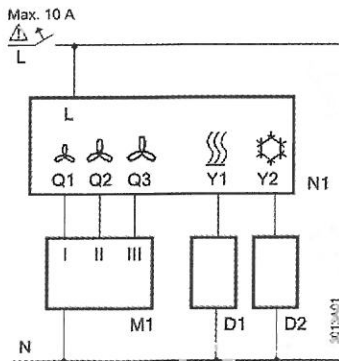
- D1 Zone valve or thermal valve  
for heating or cooling
- L Switching voltage AC 24...250 V
- M1 3-speed fan
- N Neutral
- N1 Room thermostat

### RAB21, RAB21.1

#### Changeover for heating or cooling with external aquastat



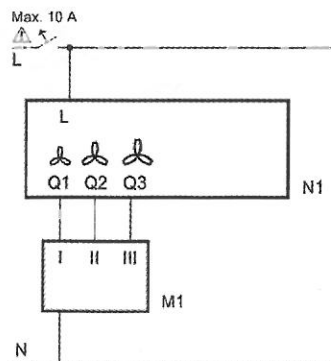
- Q1 Control output  
"Fan speed I", AC 24...250 V
- Q2 Control output  
"Fan speed II", AC 24...250 V
- Q3 Control output  
"Fan speed III", AC 24...250 V
- Y1 Control output  
"Valve actuator heating",  
AC 24...250 V
- Y2 Control output  
"Valve actuator cooling",  
AC 24...250 V
- S1 Aquastat e.g. Z182 / RYT182



### RAB31, RAB31.1

- D1 Zone valve or thermal valve  
for heating
- D2 Zone valve or thermal valve  
for cooling
- L Switching voltage AC 24...250 V
- M1 3-speed fan
- N Neutral
- N1 Room thermostat
- Q1 Control output  
"Fan speed I", AC 24...250 V
- Q2 Control output  
"Fan speed II", AC 24...250 V
- Q3 Control output  
"Fan speed III", AC 24...250 V
- Y1 Control output  
"Valve actuator heating",  
AC 24...250 V
- Y2 Control output  
"Valve actuator cooling",  
AC 24...250 V

### RAB91



- L Switching voltage AC 24...250 V
- M1 3-speed fan
- N Neutral
- N1 Room thermostat
- Q1 Control output  
"Fan speed I", AC 24...250 V
- Q2 Control output  
"Fan speed II", AC 24...250 V
- Q3 Control output  
"Fan speed III", AC 24...250 V