

SERIES 08

Rubber expansion joints

- For industrial water supplies, heating/ventilation plants, industrial and agricultural uses, compressed air, pumping applications

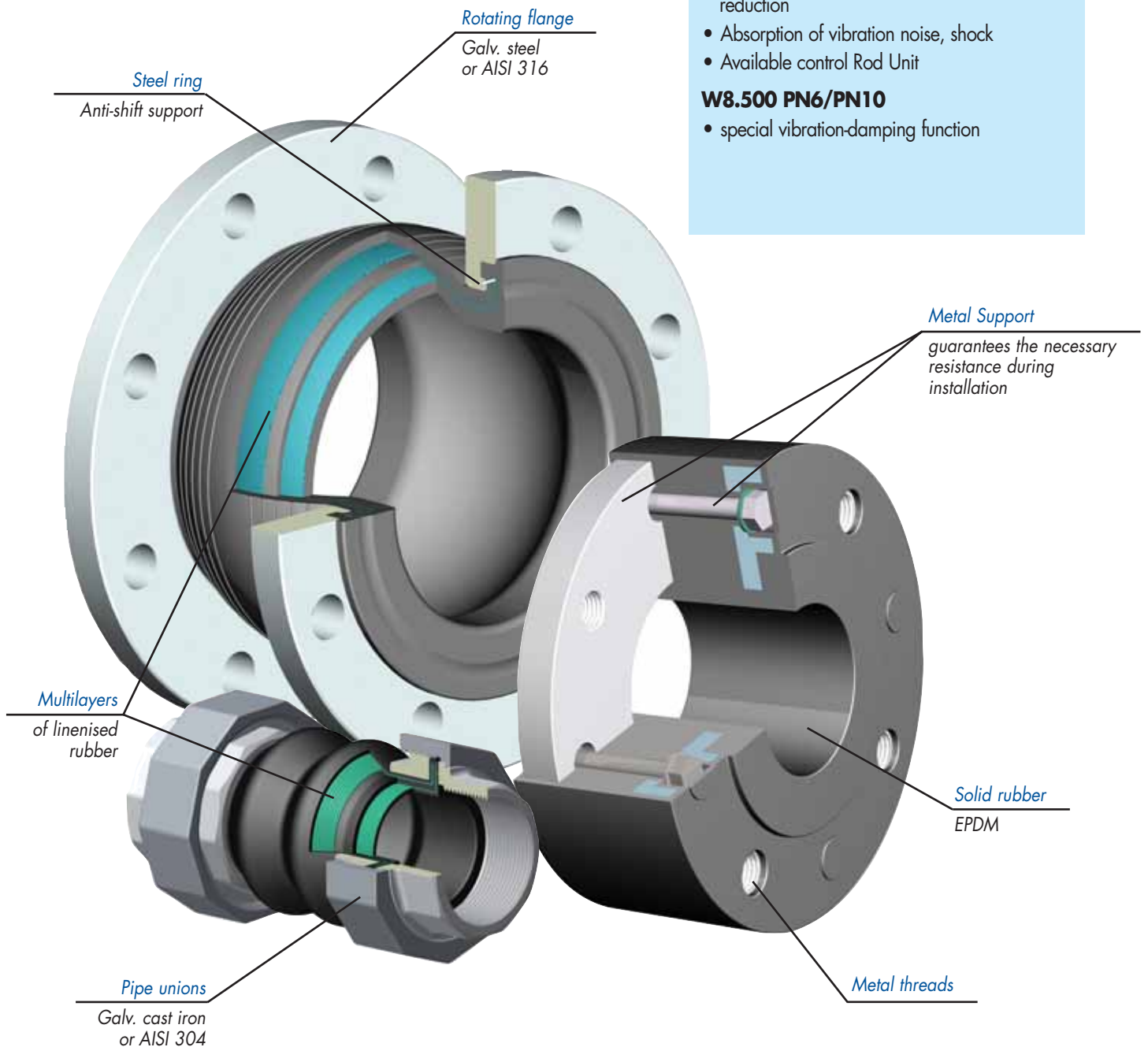
T8 Threaded end

F8 Flanged end

- Compensate greater elongation, compression, lateral and angular movement
- Antivibration function and hammering reduction
- Absorption of vibration noise, shock
- Available control Rod Unit

W8.500 PN6/PN10

- special vibration-damping function



SERIES 08

Rubber expansion joints

Pressure rating:

16 bars up to DN 300

10 bars from DN 350 to DN 600

Temperature:

see pressure/temperature chart

Articles available

Art. F8.0

- **Flanged**
PN10/16

F8.000

- Flange: Galv. steel
- T° from -10 to 90°C

body:

Neoprene

F8.020

- Flange: AISI 316
- T° from -10 to 90°C



Art. F8.500

- **Flanged**
PN10/16

F8.500

- Flange: Galv. steel
- T° from -10 to 90°C

body:

EPDM



Art. T8.0

- **Threaded BSP P**

T8.000

- Pipe union: Galv. steel
- T° from -10 to 90°C

body:

Neoprene

T8.010

- Pipe union: AISI 304
- T° from -10 to 90°C



- **Threaded BSP P / Flanged**

T8.000 TF

- Connection materials, galv. steel and galv. cast iron
- T° from -10 to 90°C



Art. W8.5

- **Vibration-damping**
PN6/PN10

W8.500 (ex F8.500)

- T° from -10 to 100°C

body:

EPDM



SERIES 08

Rubber expansion joints

Pressure rating:

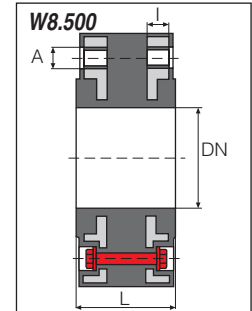
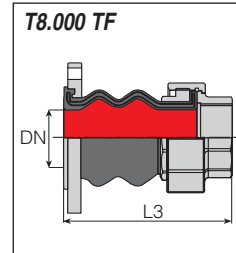
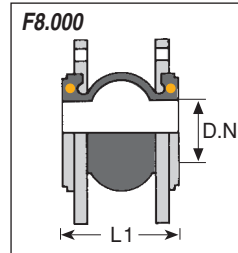
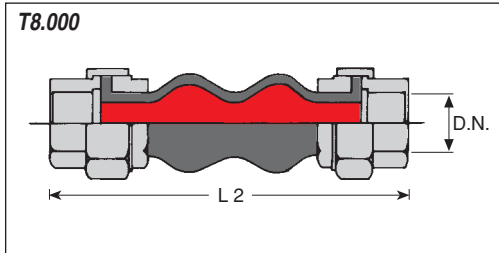
16 bars up to DN 300

10 bars from DN 350 to DN 600

Temperature:

see pressure/temperature chart

Technical data



Dimensions (in mm) T8.000 - F8.000 - T8.000TF

DN	15	20	25	32	40	50	65	80	100	125	150	200	250	300	350	400	450	500	600
Face to face natural length (mm)																			
L1	-	-	93	93	93	99	108	116	129	142	156	177	206	217	266	266	200	200	250
L2	165	165	175	186	186	200	218	260	294	-	-	-	-	-	-	-	-	-	-
L3	-	-	-	143	143	150	164	193	-	-	-	-	-	-	-	-	-	-	-
compression (mm)																			
Δ L1	-	-	8	8	8	8	12	12	18	18	18	25	25	25	25	25	19	19	19
Δ L2	25	25	25	25	25	25	25	25	25	-	-	-	-	-	-	-	-	-	-
Δ L3	-	-	-	12	12	12	12	12	-	-	-	-	-	-	-	-	-	-	-
allongation (mm)																			
Δ L1	-	-	4	4	4	5	6	6	10	10	10	14	14	14	16	16	13	13	13
Δ L2	6	6	6	6	6	6	6	6	6	-	-	-	-	-	-	-	-	-	-
Δ L3	-	-	-	6	6	6	6	6	-	-	-	-	-	-	-	-	-	-	-
lateral deflection (mm)																			
T8.000 ±	23	23	23	23	23	23	23	23	23	-	-	-	-	-	-	-	-	-	-
F8.000 ±	-	-	8	8	8	8	10	10	12	12	12	22	22	22	22	22	19	19	19
T8.000TF ±	-	-	-	12	12	12	12	12	-	-	-	-	-	-	-	-	-	-	-
angular deflection (deg)																			
T8.000 ±	35	35	30	30	30	20	15	15	15	-	-	-	-	-	-	-	-	-	-
F8.000 ±	-	-	15	15	15	15	15	15	15	15	15	15	15	15	15	15	15	15	15
T8.000TF ±	-	-	-	15	15	15	15	15	-	-	-	-	-	-	-	-	-	-	-
Weight (KG)																			
T8.000	-	0,58	0,65	1,25	1,65	2,50	3,50	5,0	-	-	-	-	-	-	-	-	-	-	-
F8.000	-	-	-	3,0	3,5	4,5	5,0	6,0	7,5	10,0	12,0	16,5	21,5	26,0	40,0	50,0	53,0	63,0	86,0

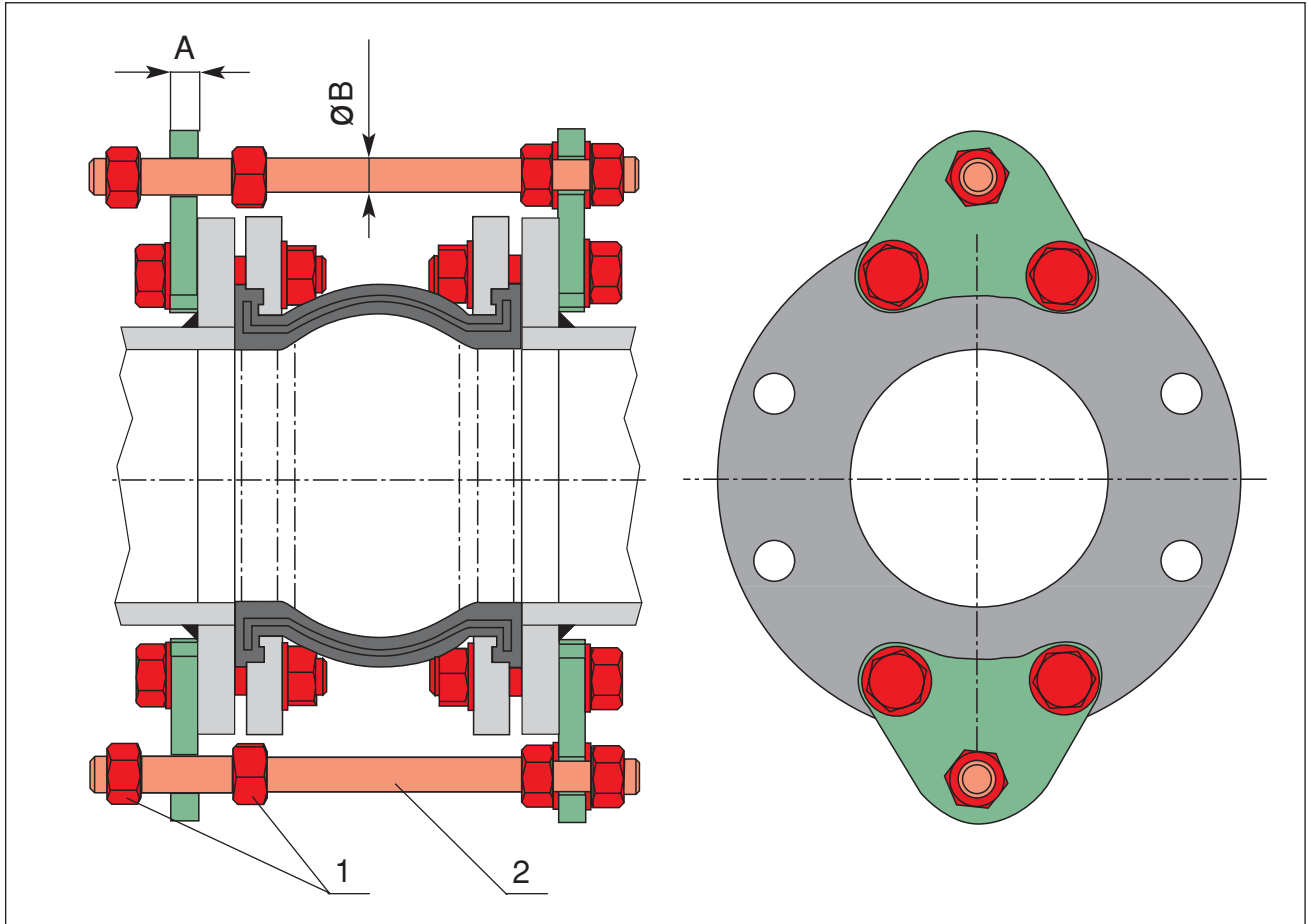
Dimensions (mm) W8.500

DN	20	25	32	40	50	65	80	100	125	150	200
DIN PN 6											
A	4 x M10	4 x M10	4 x M12	4 x M12	4 x M12	4 x M12	4 x M16	4 x M16	8 x M16	8 x M16	8 x M16
I	14	16	16	16	16	16	18	18	18	18	20
L (natural length)	70	70	70	70	70	70	70	70	70	70	90
Weight											
Kg	1,3	1,6	2,3	2,8	3,2	3,7	5,7	6,7	8,1	10,1	14
DIN PN 10											
A	4 x M12	4 x M12	4 x M16	4 x M16	4 x M16	4 x M16	8 x M16	8 x M16	8 x M16	8 x M20	8 x M20
I	14	16	16	16	16	16	18	18	18	18	20
L (natural length)	70	70	70	70	70	70	70	70	70	70	90
Weight											
Kg	1,8	2,4	3,4	3,9	4,5	5,5	5,8	6,9	9,1	11,3	16,7

SERIES 08

Rubber expansion joints

Control rod joint



DN	15/20	25	32	40	50	65	80	100	125	150	200	250	300	350	400	450	500	600
	1/2 / 3/4	1	1 1/4	1 1/2	2	2 1/2	3	4	5	6	8	10	12	14	16	18	20	24
N. stem	2	2	2	2	2	2	2	2	2	2	2	2	2	2	2	2	2	2
B	12	12	12	12	16	16	16	16	16	16	22	22	25	25	32	32	32	32
A	9	9	9	9	9	9	9	9	9	12	12	18	18	18	20	20	20	20

The control rod joints are available on articles F8.000 and F8.500.

The position of nuts (1) on the rod (2) is set to define the maximum allowable expansion and/or compression of the joint. Control rod joints are strictly recommended in unanchored/unsupported systems and spring mounted pumps or equipments, and whenever the movement exceed the permissible movement, indicated in the product characteristics feature.