

BD 25/20 M6 1/5

Series general data BD



MANUFACTURING FEATURES:

- Galvanised steel sheet housing.
- Polyamide impeller reinforced with fiberglass in models 7/7, 9/9, 10/10 and 12/12. Galvanised steel sheet impeller in the rest of models.
- Double inlet forward curved impeller in all models except 25/13, with single inlet.
- Supplied with mounting feet (included in price) except cubic models, supported and reinforced by lateral plates.
- Motor fixing with an exclusive system designed by Casals through flexible arms and silent blocks that avoid any vibration. Flexible arms in compliance with the ROHS 2002/95/EC Directive (Restriction of the Use of Certain Hazardous Substances in Electrical and Electronic Equipments).
- Closed motors specially designed by Casals: extruded aluminium motor housing, wiring box fit in the motor with IP-65 protection. Motor with IP-55 protection and Class F insulation. Manufactured with standard voltages: 230V 50 Hz in single phase motors and 230/400V 50 Hz in three phase motors.
- Motors with controllable voltage speed except three phase motors only controlled by frequency.

APPLICATIONS:

- Designed for assembly in equipment:
- Ventilation boxes and air handling units.
 - Centrifugal heaters.
 - Industrial and professional kitchen hoods.
 - Maximum working temperature: 50°C.

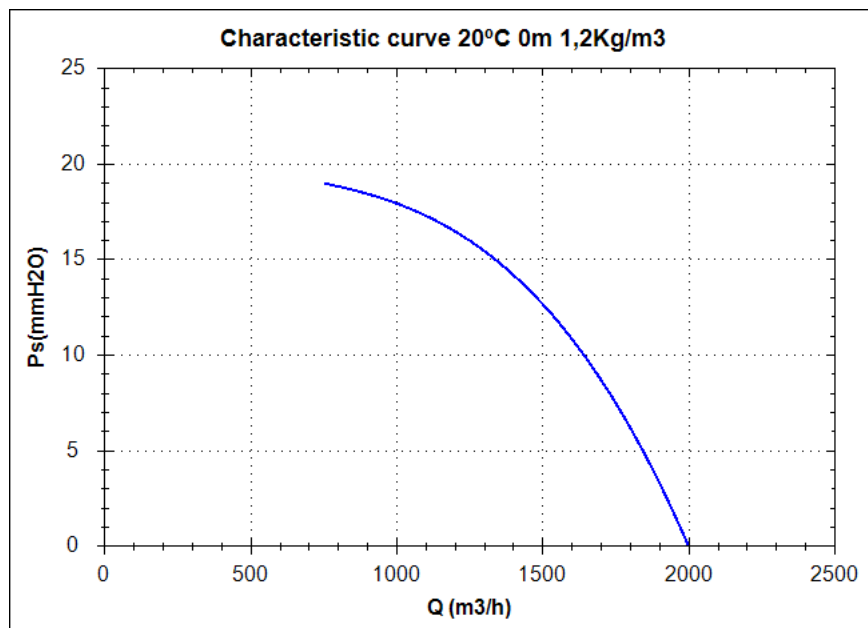
UNDER REQUEST:

- 60Hz fans.
- Fan assembly in the requested position.
- Fan assembly with the requested power.

Series accessories BD



Characteristic curve



Design point

Q (m ³ /h)	
Ps(mmH ₂ O)	

Service point

Impeller rpm	
Max. temp.(°C)	
Q (m ³ /h)	
Ps(mmH ₂ O)	
Pd(mmH ₂ O)	
Pt(mmH ₂ O)	
Air speed(m/s)	

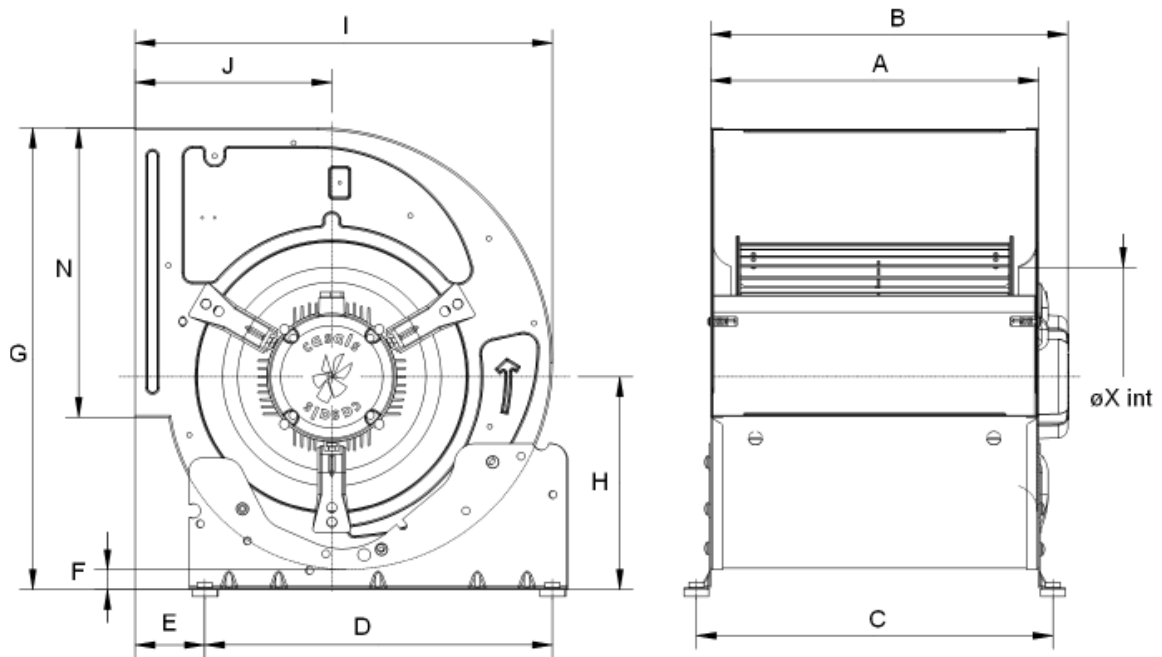
Technical data

Impeller rpm	850
Motor rpm	850
Approx. weight(kg)	12
Maximum flow rate(m ³ /h)	2000

Power(kW)	0,15
Imax 230V(A)	1,69
Imax 400V(A)	-
Imax 690V(A)	-

BD 25/20 M6 1/5

dimensions diagram



Dimensions (mm)

A=233	B máx=305	C=262	D=245	E=69,5	F=19	G=407	H=191	I=376	J=184	N=260	X=200
-------	-----------	-------	-------	--------	------	-------	-------	-------	-------	-------	-------

Wiring diagram

