



**VMR  
VMR-OTN**

**Safety solenoid valves for gas  
Fast opening and fast closing type  
DN8 ... DN150**

# VMR

## VMR-OTN

### Safety solenoid valves for gas

#### Fast opening and fast closing type

#### Contents

Description .....	2
Features .....	2
Functioning and application .....	3
Special versions and optionals .....	4
Technical specifications .....	4
Gas flow chart (pressure drop) .....	6
Ordering information .....	8
Standards and approvals .....	9
Installation, adjustment and servicing .....	10

#### Description

The VMR type valve is a fast opening single-stage solenoid valve, normally closed (open when energized). This type of device is suitable for air or gas blocking and releasing controls, required in gas power burners, atmospheric gas boilers, industrial kilns and others gas consuming appliances.

#### Features

The valves are made of aluminum alloy die-cast (or hot-pressed brass for OTN versions), with a wide range for inlet/outlet connections from DN 8 up to DN 150.

Pipe connections meet group 2 and backpressure sealing is compliant with class A, according to EN161 requirements.

Suitable for use with air and non-aggressive gases included in the 1, 2 and 3 families (EN 437).

The valve is open only when energized: if, for any reason, power supply goes down, the valve closes immediately (intrinsic safe).

Suitable for cycle operation and qualified for continuous service (100% ED).

Equipped with flow rate adjustment (except brass models).

An incorporated fine mesh filter protects the valve seat and disc as well as downstream components and prevents dirty contamination (except brass models).

Provided with G1/4 pressure gauge on two sides in the inlet chamber (except brass models), to connect manometers, pressure switches, leakage tester or other gas equipments. Flanged models are provided with gauges also in the outlet chamber.

The coils are provided with terminal box or with ISO 4400 plug. Both systems are provided with suitable cable gland to avoid water and dirty contamination.

All components are designed to withstand any mechanical, chemical and thermal condition occurring during typical service. Effective impregnation and surface treatments have been used to improve mechanical sturdiness, sealing and resistance to corrosion of the components.

Valves are 100% tested by computerized testing machineries and are fully warranted.



#### WARNING

This control must be installed in compliance with the rules in force.

## Functioning and application

The VMR type valve is a safety shutting device using auxiliary power supply. When it is de-energized, the spring pushes on the seal disc, keeping the gas passage closed. Now, the inlet chamber is under the gas line pressure, and it forces on the disc too, improving the seal.

When the coil is powered the valve opens rapidly, against the strength of the spring and gas pressure. The flow may be adjusted using the regulating screw on the top (see the *Installation, adjustment and servicing* section).

If the power supply is shut off, the valve rapidly closes, interrupting the gas flow.

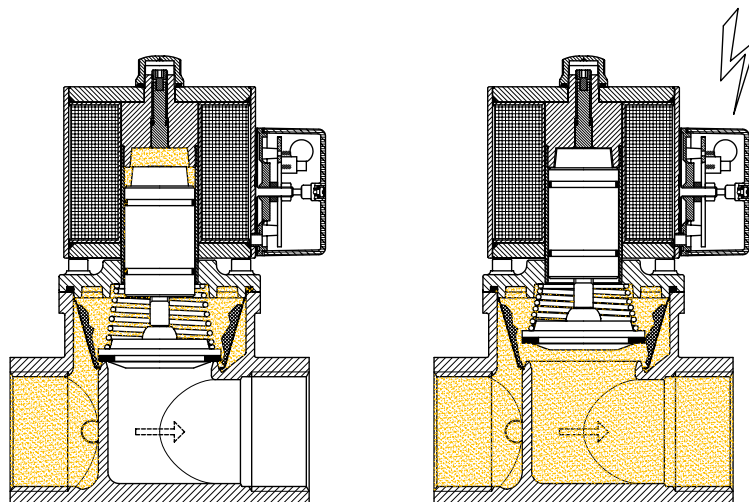


Fig.1

This kind of valve is normally installed as safety and regulating device in gas trains, for industrial applications and gas firing systems.

Figure 2 shows an example of installation.

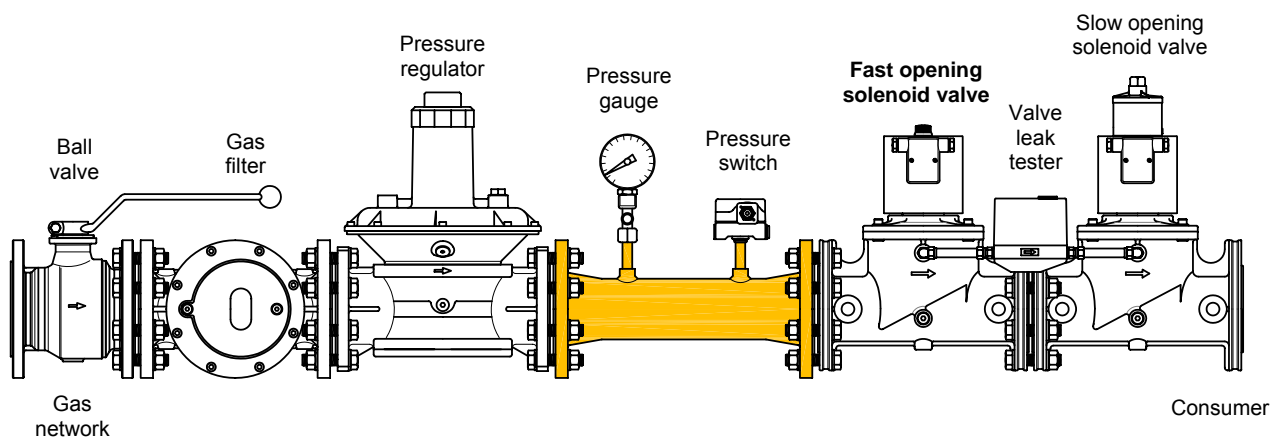


Fig.2



### WARNING

Location and mode of installation must be in compliance with local rules in force.

## Special versions and optionals

The sizes 1"¼, 1"½ and 2" can be provided with G1/4 gauges also in the outlet chamber.

A closed position indicator micro-switch (CPI) can be installed. Models from DN65 to DN150 are provided with G1/8 connection on the bottom for these facilities -on request from 3/4" to 2" - (not available for brass models). To install the micro-switch the adapting kit must be required.

Protection class can be increased up to IP65. The valves will be provided with a sealed terminal box and cable set (not available for brass models).

Whole range can be provided with Ex-proof marking for use in Zone 2, according to 94/9/EC Directive (ATEX).

Whole range can be provided with electrical connection made by standard plug ISO 4400.

The threaded models Rp1½ and Rp2 can be provided with flanged connections using an optional kit.

The sizes from 3/8" up to 4" can be supplied in the special version suitable for aggressive gases (i.e. biogas, COG). This version is free of nonferrous metals and equipped with special seals.

## Technical specifications

Tab. 1

<b>Connections</b>	Gas threaded ISO 7/1 from Rp1/4 to Rp2 Flanged PN16 – ISO 7005 from DN40 to DN150
<b>Voltage rating</b>	230 VAC 50/60 Hz 110 VAC 50/60 Hz 24 VAC/DC 12 VAC/DC
<b>Voltage tolerance</b>	-15% / +10%
<b>Power consumption</b>	see charts
<b>Ambient temperature</b>	-15°C / +60°C
<b>Max. operating pressure</b>	200 mbar (20 kPa) 360 mbar (36 kPa)
<b>Flow capacity</b>	see charts
<b>Closing time</b>	< 1 second
<b>Opening time</b>	< 1 second
<b>Filter (except brass models)</b>	600 µm, metal mesh
<b>Protection class</b>	IP54 (EN 60529) (optional IP65)
<b>Cable gland</b>	ISO 16 (EN 50262) for terminal box PG 9 for standard plug
<b>Coil winding insulation</b>	Class H (200°C)
<b>Coil thermal resistance</b>	Class F (155°C)
<b>Materials in contact with gas</b>	Aluminium alloy Brass Stainless steel Plated steel Anaerobic adhesive Nitrile rubber (NBR) Fluoro elastomer (FPM) Polytetrafluoroethylene (PTFE)

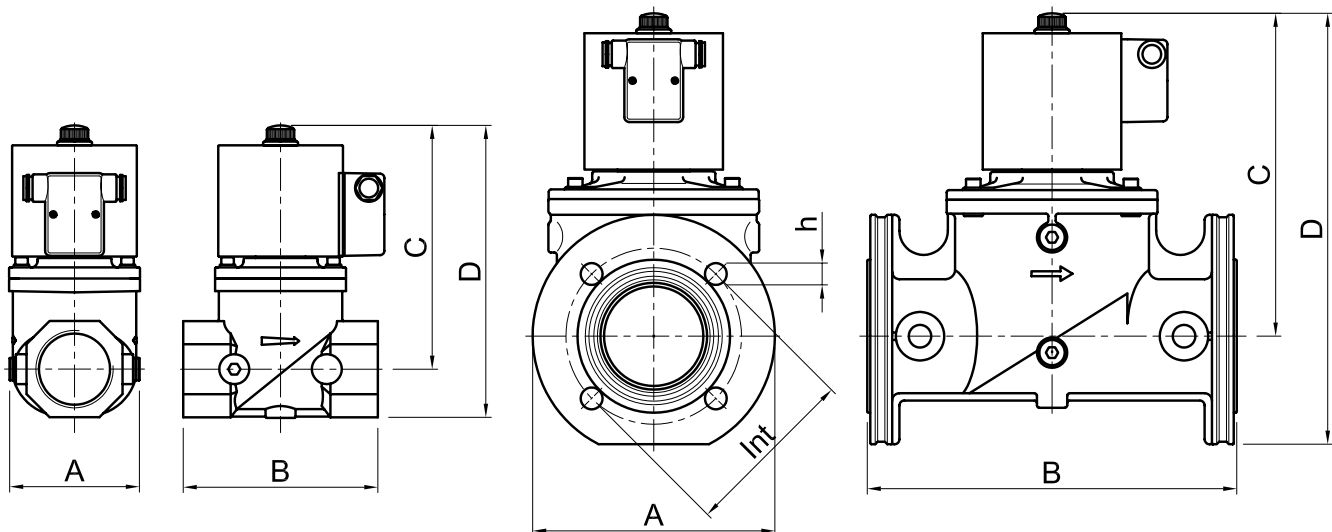


Fig.3

Tab. 2

Material and connections		Power consumption @230VAC [W]	Flow factor Kvs [m <sup>3</sup> /h]	Overall dimensions [mm]						Weight [Kg]
CuZn	AlSi			A	B	C	D	Int	h	
Rp 1/4		8	0,55	30	46	66,5	75	-	-	0,27
Rp 3/8		16	0,7	30	58	95	110	-	-	0,4
Rp 1/2		16	1,3	30	58	95	110	-	-	0,4
	Rp 3/8	20/25 <sup>(2)</sup>	2,9	88	77	126	142	-	-	1,4
	Rp 1/2	20/25 <sup>(2)</sup>	6,0	88	77	126	142	-	-	1,4
	Rp 3/4	45	9,5	88	96	145	168	-	-	2,5
	Rp 1	45	12,0	88	96	145	168	-	-	2,5
	Rp 1 1/4	20/80 <sup>(3)</sup>	20,0	120	153	191	224	-	-	5,7
	Rp 1 1/2	20/80 <sup>(3)</sup>	26,0	120	153	191	224	-	-	5,7
	Rp 2	20/80 <sup>(3)</sup>	40,0	106	156	195	234	-	-	6
	DN 40 <sup>(1)</sup>	20/80 <sup>(3)</sup>	26,0	150	193	191	266	110	4x18	7,4
	DN 50 <sup>(1)</sup>	20/80 <sup>(3)</sup>	40,0	165	196	195	278	125	4x18	8
	DN 65	60/240 <sup>(3)</sup>	63,0	200	305	266	355	145	4x18	14
	DN 80	60/240 <sup>(3)</sup>	80,0	200	305	266	355	160	8x18	14
	DN 100	80/320 <sup>(3)</sup>	148,0	252	350	352	492	180	8x18	36
	DN 125	90/360 <sup>(3)</sup>	250,0	310	460	430	600	210	8x18	58
	DN 150	90/360 <sup>(3)</sup>	315,0	310	460	430	600	240	8x23	60

(<sup>1</sup>) Optional Kit    (<sup>2</sup>) 360/200mbar    (<sup>3</sup>) Working/Opening

**Gas flow chart**  
(Pressure drop)

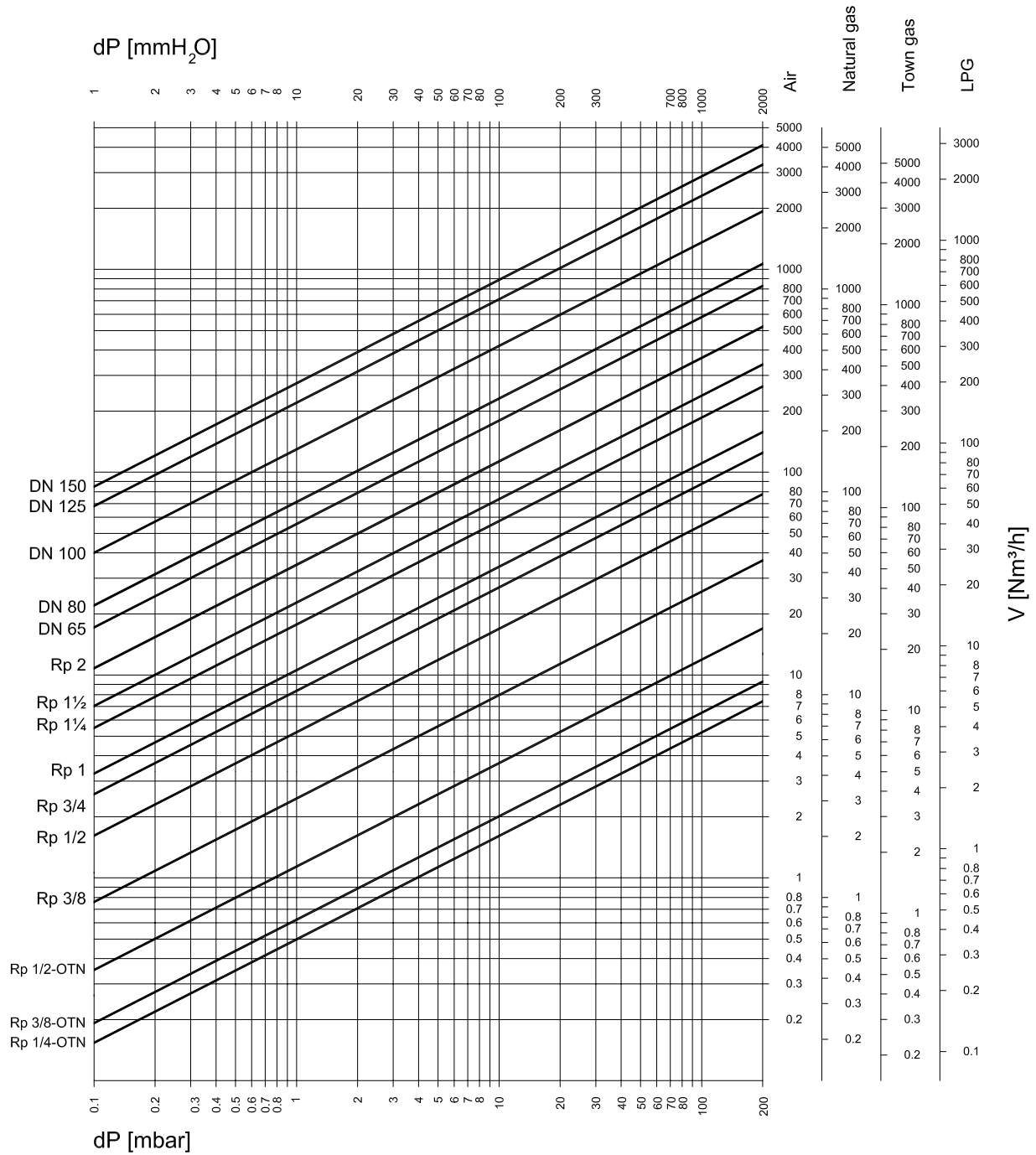


Fig. 4

**Formula of conversion  
from air to other gases**

$$V_{GAS} = k \cdot V_{AIR}$$

Tab. 3

Gas type	Specific gravity $\rho$ [Kg/m <sup>3</sup> ]	$k = \sqrt{\frac{1,25}{\rho_{GAS}}}$
Air	1,25	1,00
Natural gas	0,80	1,25
Town gas	0,57	1,48
LPG	2,08	0,77

15°C, 1013 mbar, dry

When the flow read on the diagram is referred to operating pressure instead of standard conditions, the pressure drop  $\Delta p$  read on the diagram must be multiplied for the factor: (1+ relative pressure in bar)

*Example:*

In the 2" solenoid valve with an air flow of 80 Nm<sup>3</sup>/h there is a pressure drop  $\Delta p = 5$  mbar. If we consider that 80 m<sup>3</sup>/h is the flow at 200 mbar of inlet pressure, then the pressure drop to be consider is:

$$\Delta p = 5 \times (1 + 0,2) = 6 \text{ mbar}$$

Normally, pressure drop and flow rate for the valves are read from the gas flow diagram. However, the valves can also be chosen in accordance with the characteristic "Kvs value" which is shown in table 2.

The selection of the valve requires the calculation of the Kv under the operating conditions.

Considering only subcritical pressure drops:

$$\Delta p < \frac{p_1}{2}$$

Kv can be calculated with the formula:

$$Kv = \frac{V}{514} \sqrt{\frac{\rho(t + 273)}{\Delta p \cdot p_2}}$$

where

- V = flow rate [Nm<sup>3</sup>/h]
- Kv = flow factor [m<sup>3</sup>/h]
- $\rho$  = density [Kg/m<sup>3</sup>]
- p<sub>1</sub> = absolute inlet pressure [bar]
- p<sub>2</sub> = absolute outlet pressure [bar]
- $\Delta p$  = differential pressure p<sub>1</sub>-p<sub>2</sub> [bar]
- t = media temperature [°C]

To the Kv value calculated from operating conditions we add an allowance of 20%, to obtain the minimum Kvs value which the valve should have:

$$Kvs > 1,2 Kv$$



Valve must be selected considering the following:

- Pressure drops  $\Delta p \leq 0,1 p_1$  are recommended and  $\Delta p > p_1/2$  are always undesirable
- Flow velocities  $w \leq 15$  m/s are recommended and  $w > 50$  m/s are always undesirable.

## Ordering information

Tab.4

Material and Connections		230V		110V		24V	12V	
	CuZn	AlSi	200 mbar	360 mbar	200 mbar	360 mbar	200 mbar	
Threaded	Rp 1/4		VMR01OTN <sup>1</sup>		VMR01OTN.B <sup>1</sup>		VMR01OTN.C <sup>1</sup> VMR01OTN.D <sup>1</sup>	
	Rp 3/8		VMR02OTN <sup>1</sup>		VMR02OTN.B <sup>1</sup>		VMR02OTN.C <sup>1</sup> VMR02OTN.D <sup>1</sup>	
	Rp 1/2		VMR12OTN <sup>1</sup>		VMR12OTN.B <sup>1</sup>		VMR12OTN.C <sup>1</sup> VMR12OTN.D <sup>1</sup>	
		Rp 3/8	VMR02A <sup>1</sup>	VMR0	VMR02A.B <sup>1</sup>	VMR0.B	VMR02.C	VMR02.D
		Rp 1/2	VMR12A <sup>1</sup>	VMR1	VMR12A.B <sup>1</sup>	VMR1.B	VMR12.C	VMR12.D
		Rp 3/4		VMR2		VMR2.B	VMR22.C	VMR22.D
		Rp 1		VMR3		VMR3.B	VMR32.C	VMR32.D
		Rp 1¼		VMR35		VMR35.B	VMR352.C	VMR352.D
		Rp 1½		VMR4		VMR4.B	VMR42.C	VMR42.D
Flanged		Rp 2		VMR6		VMR6.B	VMR62.C	VMR62.D
		DN 40 <sup>2</sup>		VMR4F		VMR4F.B	VMR42F.C	VMR42F.D
		DN 50 <sup>2</sup>		VMR6F		VMR6F.B	VMR62F.C	VMR62F.D
		DN 65	VMR72	VMR7	VMR72.B	VMR7.B	VMR72.C	
		DN 80	VMR82	VMR8	VMR82.B	VMR8.B	VMR82.C	
		DN 100	VMR92	VMR9	VMR92.B	VMR9.B	VMR92.C <sup>3</sup>	
		DN 125	VMR932	VMR93	VMR932.B	VMR93.B		
	DN 150	VMR952	VMR95	VMR952.B	VMR95.B			

(<sup>1</sup>) Provided with encapsulated coil and ISO 4400 plug    (<sup>2</sup>) Optional kit    (<sup>3</sup>) Class B



- The versions with inlet pressure  $p_1 \leq 200$  mbar (20 kPa) may be order inserting the digit "2" in to the designation.
- Different voltage than 230V may be order adding to the standard designation the additional code as shown above.
- The special version suitable for aggressive gases may be order adding to the standard designation the additional code "K" (available for aluminium models from 3/8" up to 4").
- Other optionals (i.e. standard plug, IP65 version) must be order with their ordering code.

#### Examples:

VMR72.B for a valve with DN65 flanged connections, 110VAC, 200 mbar

VMR3.K for a valve with Rp1 threaded connections, 230VAC, 360 mbar, suitable for aggressive gases



Manufacturer reserves the right to update or make technical changes without prior notice.



## Standards and approvals

The valve design meets current European approval requirements regarding safety shut-off functions on gaseous fuels.

These products conform with the Gas Appliances Directive (90/396/EEC) and the certification has been issued by the notified body:

GASTEC CERTIFICATION B.V.  
Wilmersdorf, 50  
NL-7323 AC Apeldoorn



CE Reg.-Nr. 0063AQ1350

The following standards/technical specifications have been fulfilled:

- Electromagnetic Compatibility (2004/108/EC)
- Low Voltage Directive (2006/95/EC)

Quality Management System is certified according to UNI EN ISO 9001 and the monitoring is carried out by the notified body:

Kiwa Gastec Italia Spa  
Via Treviso, 32/34  
I- 31020 San Vendemiano (TV)



## Installation, adjustment and servicing

To assure a proper and safe operation, as well as a long life of the valve, the installation procedure and a periodical servicing are very important topics and the following instructions should be always fulfilled.

**IMPORTANT:** before proceeding with the installation, ensure that all the features of your system are comply with the specifications of the valve (gas type, operating pressure, flow rate, ambient temperature, electrical voltage, etc.).



### CAUTION

**Shut off the gas supply at the main manual shut-off valve and disconnect electrical power to the valve before proceeding installation or servicing.**

#### PIPING CONNECTION

- Check correspondence of flow direction with arrow printed on valve body.
- Check correct alignment of connecting pipes.
- Ensure that installing area is protected from rain and water splashes or drops.
- Remove the end caps and make sure no foreign body is entered into the valve during handling.

#### THREADED MODELS

- Put sealing agent onto the pipe thread. Avoid excessive quantities which could enter in the valve and damage the seal seat.
- Screw the pipes using proper tools only. Do not use unit as lever because damage to the valve stem could result.

#### FLANGED MODELS

- Position the gasket or sealing agent on the flanges and insert the bolts with washers.
- Screw the nuts tightening them crosswise and using proper tools only. Avoid overtightening and mount tension free.

Following chart shows the maximum values of bending moment ( $F_{max}$ ), torque ( $T_{max}$ ) and screws driving torque ( $C_{max}$ ), according to EN161.

Tab. 5

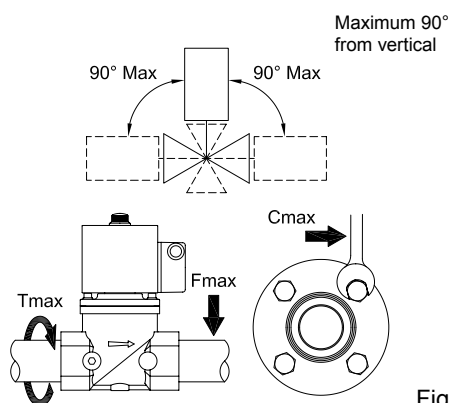


Fig. 5

Connections	$F_{max}$ (Nm) $t < 10$ s	$T_{max}$ (Nm)	$C_{max}$ (Nm)
Rp1/4	35	20	-
Rp3/8	70	35	-
Rp1/2	105	50	-
Rp3/4	225	85	-
Rp1	340	125	-
Rp1¼	475	160	-
Rp1½ DN40	610	200	50
Rp2 DN50	1100	250	50
DN65	1600	-	50
DN80	2400	-	50
DN100	5000	-	80
DN125	6000	-	160
DN150	7600	-	160

Valve may be mounted with coil in horizontal or vertical position. Coil may be oriented 360 degrees in any direction.

## ELECTRICAL CONNECTION (IEC 730-1)

Valve is provided with terminal box or standard plug (see tab. 4) for the electrical connections. To connect the valve do the following:

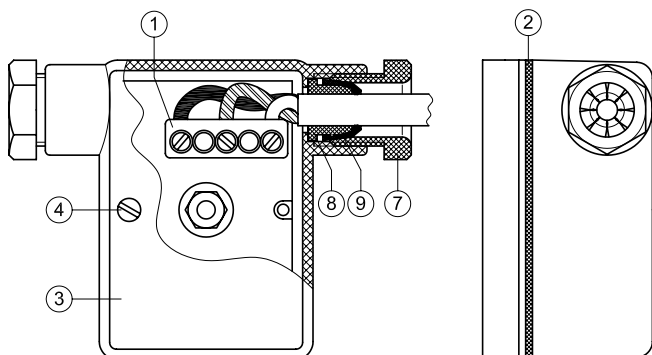


Fig. 6

**Terminal box version:**

- Using a screwdriver remove the box cover.
- Unscrew the gland-nut (7) and remove the retaining ring (9) and conical grommet (5).
- Insert the cable in to the gland-nut, retaining ring, grommet and then into its housing in the box cover.
- Connect power cables to the rectifier terminals (1) according to printed designation.
- Pull the cable and screw back the box cover, make sure the gasket (2) is properly used.
- Screw back the gland-nut, make sure that the grommet is locked on the cable.

Should cables pass through originally closed opening, use the rubber capsule placed underneath the cap to close any other opening.

**Standard plug version (optional):**

- Using a screwdriver remove the plug from the coil.
- Unscrew the gland-nut (7) and remove the washer (6) and grommet (5).
- To remove the terminal block (1) from the plug housing (3), remove the gasket (2) and extract the screw (4) completely, then insert a flat screwdriver into the slot located on edge and pull it.
- Insert the cable in to the gland-nut, washer, grommet and then into the plug housing.
- Connect power cables to the terminal block according to printed designation.
- Pull back the cable and insert the terminal block into the housing.
- Screw back the gland-nut, make sure that the grommet is locked on the cable.
- Insert the screw and gasket into the housing and screw back the plug on the coil.

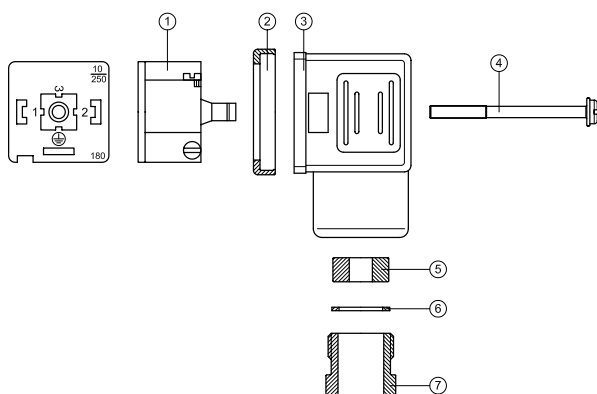


Fig. 7



**The continuous service (100% ED) causes inevitable coil heating, depending of working environment. This situation is absolutely normal and has not to worry. To improve the coil cooling, install the valve allowing free air circulation.**

**WARNING**

**Make sure all gaskets are used properly.**

**Perform leak and functional tests after mounting (max. testing pressure 1500 mbar).**

**All works must be executed by qualified technicians only and in compliance with local and national codes.**

FLOW RATE ADJUSTMENT (V<sub>max</sub>)

Flow rate may be adjusted from 0 cubic meters/h to the maximum (excepting 4", 5", 6" and brass models).

To perform regulation do the following:

1. Remove coil fastener cap.
2. Using a 4 mm Allen wrench, remove the locking dowel.
3. Located under the locking dowel is the flow regulation screw. Use the Allen wrench to set it.
4. Turn wrench clockwise to decrease or counter-clockwise to increase flow rate (factory setting is max. flow rate).
5. When adjustment is completed, screw back the locking dowel and cap.

**WARNING**

**Make sure that capacity adjustments are made while burner is operating.**

**Check the regulation is not changed during reassembly.**

**Adjustments below 40% of capacity are unadvisable because they may cause turbulence.**

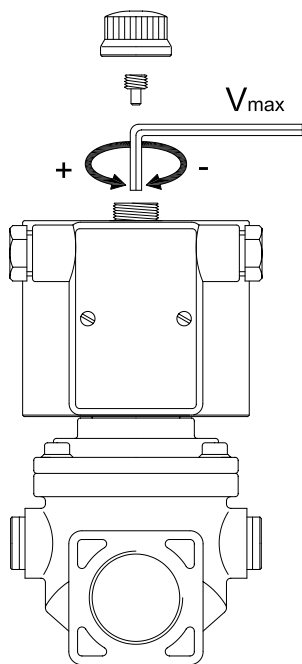


Fig. 8

## COIL REPLACEMENT

Before to start with coil replacement, make sure it is the cause of failure.

To perform coil replacement do the following:

1. Make sure an identical one spare part is available.
2. Switch off power supply and remove the box cover.
3. Disconnect the wires from terminal board.
4. Remove coil fastener cap and replace the coil.
5. Reassemble following the inverse sequence.



To maintain a good performance of the system, almost once a year, an external inspection of the valve is recommended.

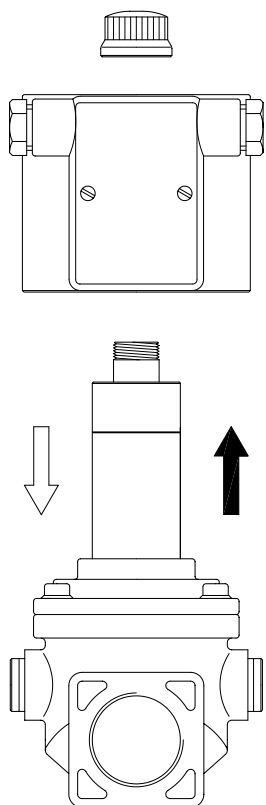


Fig. 9

## EXTERNAL INSPECTION

- Turn off all power before servicing any part of the system.
- Check the conditions of the plug/box gasket. If gasket is deteriorated, replace it with a new one.
- Check the electrical connections are clean, dry and correctly tightened.
- Check the conditions of pipe connections: cover them with a soap solution and check for leakages.
- Check the proper operation of the valve: power the coil and verify that valve opens, then, turn off power and check the closing function.

## INTERNAL INSPECTION

**Make this inspection when the valve does not work properly only.**

To make an internal inspection of the valve, do the following:

- Shut ball valve upstream the system and make sure no pressure is inside the valve.
- Unscrew coil fastener cap (15) and remove the coil (13).
- Using an Allen key, remove the screws (10) on the upper flange (9), in cross way. The gas in the valve will come out during this step.
- Check the main O-ring (8). If it's necessary, replace it with an identical one.
- Clean the internal side of the stem (11) with a clean cloth and compressed air.
- Remove the spring (7) and blow it with compressed air. Check the spring is corrosion free. Take attention to the assembly direction of the spring.
- Check the wear conditions of the sliding rings (6) and, if it's necessary, replace them.
- Clean the plunger assembly (4, 5, 6) with a clean cloth and compressed air.
- Check the conditions of the sealing gasket (4). If gasket is deteriorated, replace it with a new one.
- Clean the sealing lip with a clean cloth. Do not use tools, because a lip damage could result.
- Remove the filter (3) and blow it with compressed air.
- Reassemble the valve following the inverse sequence.

When reassembling, take attention to the correct position of the spring.

When the reassembly is finished, verify the correct sealing between the upper flange and the valve body:

- Open ball valve to restore pressure into the valve.
- Apply a soap solution between the upper flange and the valve body and check for leakages.
- Remove the soap solution with a clean cloth, before to reassemble the coil.

**WARNING**

To prevent product damage and dangerous situations, read the Installation and Service Instructions carefully.

Turn off all power before servicing any part of the system.

Perform leak and functional tests after mounting.

Use all gaskets properly (void warranty).

All wiring must be in compliance with local and national codes.

Make sure all works are performed by qualified technicians only.

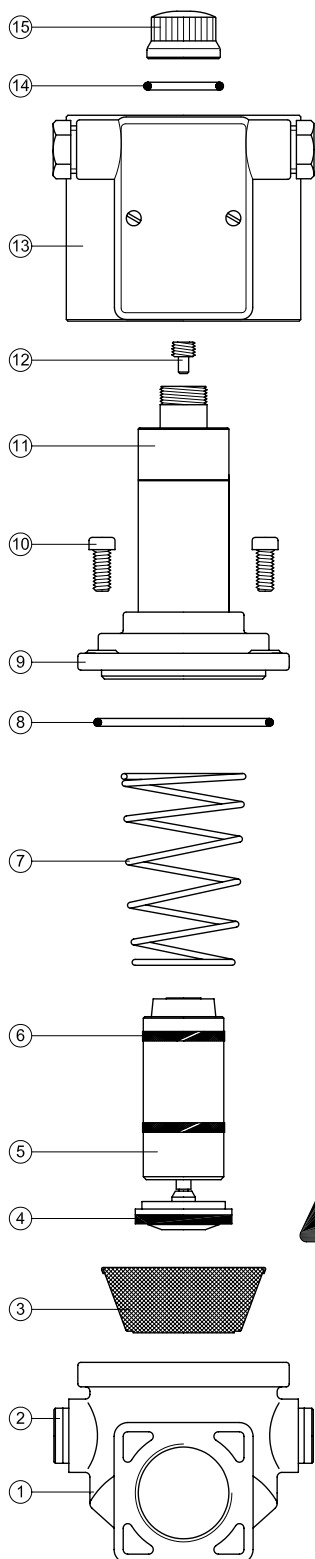


Fig. 10