

EXTRA 1 INOX HE

316 L STAINLESS STEEL CALORIFIERS WITH 1 EXTRACTABLE HEAT EXCHANGER



APPLICATION

Production and storage of sanitary hot water.

MATERIAL

Stainless Steel 316 L suitable drinkable water according to D. M. n. 174 dated 06.04.04.

HEAT EXCHANGER:

1 stainless steel 316L Antilegionella® heat exchanger, with tubes bent to the bottom.

INSULATION

Ecological hard polyurethane foam with high thermal insulation. For models >500 NOFIRE polyester fibre 100% made of recyclable material, with high thermal insulation. Fire resistance class B-s2d0 according to EN 13501. PVC external lining complete with top and flange cover.

CATHODE PROTECTION

Magnesium anode- Models > 1500 n° 2 magnesium anodes.

DRAIN

External confluence through drain connection.

GASKET- FLANGE PLATE

Silicone gaskets suitable for alimentary use for max temperature up to 200°C. Mild steel exchanger head with anticorrosion treatment.

WARRANTY

- 5 years (Inox 316L)

See general sales conditions and warranty.

ACCESSORIES AND SPARE PARTS

See Accessories section for the entire list.



TECHNICAL DATA AND ECODESIGN ERP LABELS AVAILABLE ONLINE AT WWW.CORDIVARI.COM



EXTRA 1 XXB-XXC HE

Model	D.H.W. Storage: STAINLESS STEEL Heat Exchanger: STAINLESS STEEL		ENERGY EFFICIENCY CLASS	HEAT EXCHANGER SURFACE
				[m ²]
200	3072052300422		C	0,5
300	3072052300423		C	0,75
500	3072052300424		C	1
800	3072052300425		C	1,5
1000	3072052300426		C	2
1300	3072052300427		C	3
1500	3072052300428		C	3
2000	3072052300429		C	4



Designed according to 2009/125/CE Directive (ErP – Eco-friendly Plan Specification), HE series are already compliant with Regulation n. 814/2013, that demands C-energy efficiency class from September, 26th 2017.

EXTRA 1 INOX XXC



EXTRA 1 XXC

Model	D.H.W. Storage: STAINLESS STEEL Heat Exchanger: STAINLESS STEEL		ENERGY EFFICIENCY CLASS	HEAT EXCHANGER SURFACE
				[m ²]
1500	3072052300408		F	3
2000	3072052300409		F	4
2500	3072052300410			5
3000	3072052300412			6
4000	3072052300414			8
5000	3072052300416			10

EXTRA 1 COMPACT XXC

Model	D.H.W. Storage: STAINLESS STEEL Heat Exchanger: STAINLESS STEEL		HEAT EXCHANGER SURFACE
			[m ²]
2500	3072052300411		5
3000	3072052300413		6
4000	3072052300415		8

— Accessories on request —

“Easy Control” Electronic Display

See accessories section



Monophase and Threephase electric resistances



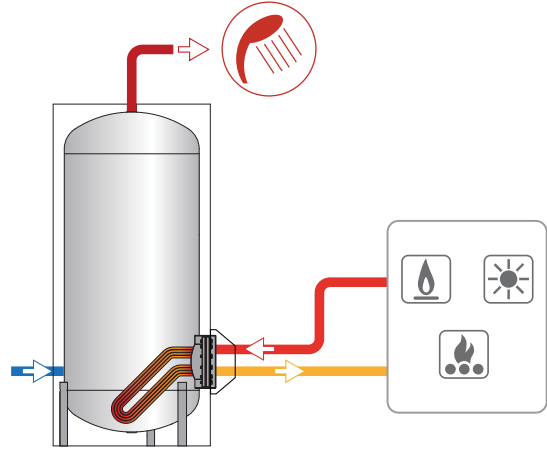
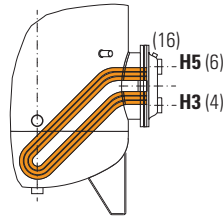
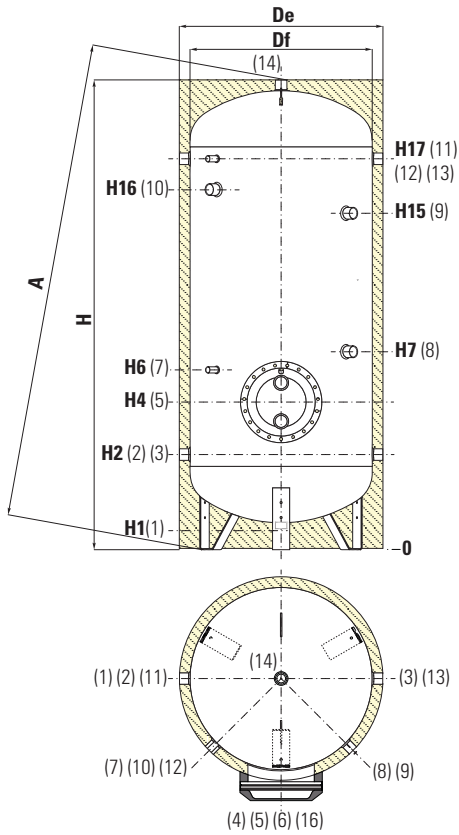
See accessories section

EXTRA 1 INOX HE

316 L STAINLESS STEEL CALORIFIERS WITH 1 EXTRACTABLE HEAT EXCHANGER

STORAGE		HEAT EXCHANGERS	
Pmax	Tmax	Pmax	Tmax
6 bar	95 °C	12 bar	110 °C

CORDIVARI Lab
 TÜV Rheinland
 Energie und Umwelt
 GmbH states that test
 procedures and Cordivari LAB are
 certified conforming to European
 standard EN 15332, as indicated
 by Ecodesign ErP Directive.



STAINLESS STEEL
CALORIFIERS

1	Drain 3/4" Gas F for capacities from 200 to 1000 lt; 1" Gas F for models > 1000
2	Domestic cold water circuit inlet
3	Alternative domestic cold water circuit inlet or connection for more boilers
4	Heating water back to the buffer
5	Heat exchanger flange
6	Entry heating water from the buffer
7	Connection for instrumentation 1/2" Gas F
8	Connection for magnesium anode 1"1/4 Gas F
9	Connection for 2nd anode 1"1/4 Gas F (only for models > 1500)
10	Connection for electrical immersion 1"1/2 Gas F - for models > 800 connections 2" Gas F
11-13	Connection for recirculation or for domestic hot water
12	Connection for instrumentation 1/2" Gas F
14	Domestic hot water outlet
15	Drain 1" Gas F (only for models > di 1000)
16	Air spurge heat exchanger 3/8" Gas F

Model	Net Volume [litres]	Df	De	De (HE SERIE)	H	A	[mm]						
							H1	H2	H3	H4	H5	H6	H7
200	190	450	//	550	1451	1552	81	316	351	401	451	511	701
300	293	550	//	650	1569	1698	149	409	444	494	544	604	794
500	503	650	//	750	1861	2006	141	426	461	511	561	621	811
800	795	790	//	990	1943	2008	113	428	473	563	653	713	863
1000	911	800	//	1000	2212	2270	112	437	482	572	662	722	922
1300	1272	950	//	1150	2193	2275	118	433	578	668	758	818	918
1500	1401	1000	1100	1200	2177	2266	112	447	592	682	772	832	982
2000	1980	1250	1350	1450	2099	2231	134	529	649	754	859	929	1004
2500	2320	1250	1350	//	2299	2396	134	529	649	754	859	929	954
3000	2925	1250	1350	//	2799	2879	134	529	709	814	919	989	1014
4000	3776	1400	1500	//	2872	2968	117	557	737	842	947	1017	1022
5000	4995	1600	1700	//	2909	3031	94	564	734	839	944	1014	1019

Model	H15	H16	H17	5	1	2 3 11 13			4 6	7 12	8	9	10	16	14
						[mm]									
200	//	1066	1176	Øe 300	3/4"	1"1/4	1"	1/2"	1"1/4	//	1"1/2	3/8"	1"1/4		
300	//	1159	1269	Øe 300	3/4"	1"1/4	1"	1/2"	1"1/4	//	1"1/2	3/8"	1"1/4		
500	//	1380	1536	Øe 300	3/4"	1"1/4	1"	1/2"	1"1/4	//	1"1/2	3/8"	1"1/4		
800	//	1382	1538	Øe 380	3/4"	1"1/4	2"	1/2"	1"1/4	//	1"1/2	3/8"	1"1/2		
1000	//	1642	1797	Øe 380	3/4"	1"1/2	2"	1/2"	1"1/4	//	2"	3/8"	1"1/2		
1300	//	1638	1793	Øe 380	1"	1"1/2	2"	1/2"	1"1/4	//	2"	3/8"	2"		
1500	//	1602	1757	Øe 380	1"	1"1/2	2"	1/2"	1"1/4	1"1/4	2"	3/8"	2"		
2000	1524	1473	1629	Øe 430	1"	2"	2"	1/2"	1"1/4	1"1/4	2"	3/8"	2"		
2500	1794	1710	1879	Øe 430	1"	2"	2"	1/2"	1"1/4	1"1/4	2"	3/8"	2"		
3000	2294	2210	2369	Øe 430	1"	2"	2"	1/2"	1"1/4	1"1/4	2"	3/8"	2"		
4000	2302	2225	2397	Øe 430	1"	2"	2"	1/2"	1"1/4	1"1/4	2"	3/8"	2"		
5000	2319	2159	2404	Øe 430	1"	2"	2"	1/2"	1"1/4	1"1/4	2"	3/8"	2"		

Model	H15	H16	H17	Øe	1"	2" 3" 4"			1"1/2"	1"1/4"	1"	3/8"	2"
						2"	3"	4"					
2500	1552	1501	1657	Øe 430	1"	2"	2"	1/2"	1"1/4	1"1/4	2"	3/8"	2"
3000	1551	1500	1656	Øe 430	1"	2"	2"	1/2"	1"1/4	1"1/4	2"	3/8"	2"
4000	1809	1732	1904	Øe 430	1"	2"	2"	1/2"	1"1/4	1"1/4	2"	3/8"	2"

P.E.D. product planned and produced in conformity to the article 3.3. of directive 92/73/CE